



Ultrasonic Cleaner

Limpiador por ultrasonido

USER MANUAL

Manual del usuario



English 2
Español 20

AFTER SALES SUPPORT • SERVICIO DE POSTVENTA



USA 1-866-558-8096



service@eurocentra.net

PRODUCT CODE: 91960 01/2015

Contents



03	Introduction
04	Parts List
05	Contents Included
05	Technical Data
06	Safety Instructions
07	Safe and Intended Usage
08	Function and Areas of Application
10-16	Instructions
18	Cleaning and Storage
19	Limited Warranty
	Warranty Card

You have made an excellent choice with the purchase of this quality Easy Home® product.

By doing so you now have the assurance and peace of mind which comes from purchasing a product that has been manufactured to the highest standards of performance and safety, supported by the high quality standards of Aldi.

We want you to be completely satisfied with your purchase so this Easy Home® product is backed by a comprehensive manufacturer's 2 year warranty and an outstanding after sales service through our dedicated Helpline.

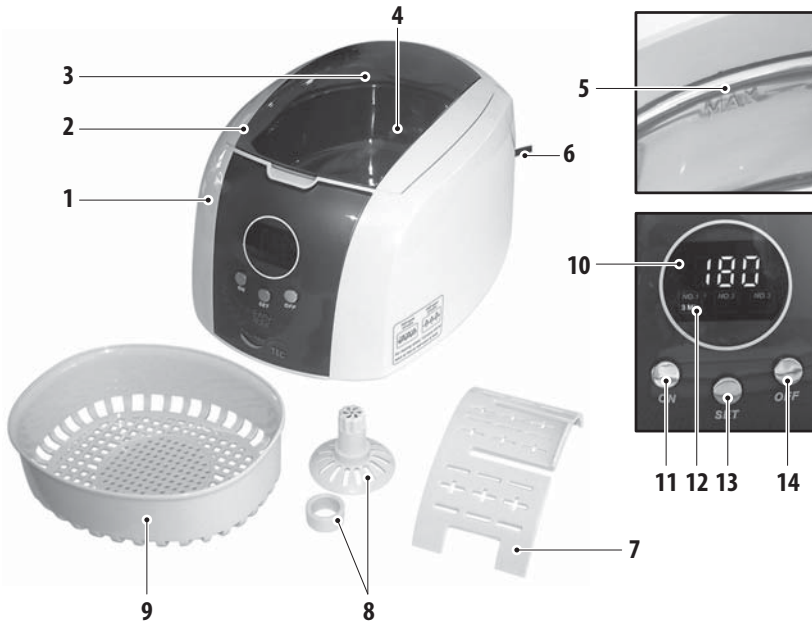
We hope you will enjoy using your purchase for many years to come.

If you require technical support or in the unlikely event that your purchase is faulty please telephone our Helpline for immediate assistance. Faulty product claims made within the 2 year warranty period will be repaired or replaced free of charge provided that you have satisfactory proof of purchase (keep your till receipt safe!).

This does not affect your statutory rights. However, be aware that the warranty will become null and void if the product is found to have been deliberately damaged, misused or disassembled.

Parts List

USA



- | | | | |
|----------|-------------------------------------|-----------|--------------------------------|
| 1 | Casing | 8 | CD holder for
2 CDs or DVDs |
| 2 | Appliance cover | 9 | Cleaning basket |
| 3 | Window | 10 | Display |
| 4 | Cleaning container | 11 | ON switch |
| 5 | MAX-Mark for
maximum water level | 12 | Control light |
| 6 | Power cable with plug | 13 | Switch SET |
| 7 | Cleaning stand for
watches | 14 | OFF switch |

4

AFTER SALES SUPPORT

 service@eurocentra.net

 USA 1-866-558-8096

PRODUCT CODE: 91960 01/2015

Contents Included

USA

- Ultrasonic Cleaner
- Cleaning basket
- Cleaning stand for watches
- CD holder for 2 CDs or DVDs
- User Guide
- Warranty Card

Technical Data

Mains voltage:	100-120V~, 60Hz
Power consumption:	38W
Cleaning frequency:	46kHz
Timer setting:	5 steps (90 - 600 seconds)
Tank volume until MAX marking:	approx. 20.3 fl oz (0.6 l)

As our products are constantly being further developed and improved, design and technical changes are possible.

Caution!

In order to avoid damage to the appliance, never use the appliance without water.

- Read all instructions before first use to reduce the risk of fire, electrical shock, or injury.
- Do not use outdoors. For household use only.
- Use only as described in the manual.
- Do not use as a toy.
- Do not allow children to use the ultrasonic cleaner or let them get too close while in use.
- Keep children away from packaging materials as they may cause a choking hazard.
- Do not use with damaged cord or plug. Do not use if dropped or damaged.
- To disconnect from an outlet, pull from the plug or charger not the cord.
- Do not operate with wet hands.
- Do not use abrasive materials in the cleaner
- Do not immerse the unit in water.
- Read and follow all operating instructions.
- Do not use with extension cord. Plug directly into an electrical outlet.
- When product is not in use, leave unit unplugged and stored away to avoid any accidental hazards.

General Safety Instructions

WARNING!

Read and understand all instructions. Failure to follow all instructions listed may result in electric shock, fire or serious injury.

The warnings, cautions, and instructions discussed in this instruction manual cannot cover all possible conditions and situations that may occur.

It must be understood by the user that common sense and caution are a factor which cannot be included with this product, but must be supplied by the user.

- Keep away from gas or electric ovens and other sources of ignition or heat.
- Do not put any easily flammable or meltable items near the appliance.
- Unit is for indoor use only.
- Do not leave the Ultrasonic Cleaner unattended during operation.
- Wait for at least 3 minutes between cleaning cycles, so as not to overload the appliance.
- The operation and use of this appliance may only be carried out, insofar as they are described in the user guide.

Function and Areas of Application



Function

The appliance creates ultrasonic waves, which are transferred by water and breaks up dirt particles and impurities from all surfaces in contact with the water. Additionally, air bubbles are produced (especially at the borderline between water and objects), which create a short-term pressure when they break down and mechanically remove dirt and other adhesions. This ensures problem-free cleaning of even the most inaccessible areas. The addition of mild dishwashing detergent can increase the cleaning effect. Do not use harsh chemicals or detergent.

Application Area

Application of the Ultrasonic Cleaner is almost unlimited.

- Jewelry, eye-glasses, watertight watches
- Utility objects such as razor blades, razor heads or dental prosthesis (only full dentures without facing)
- Stationary articles such as nibs of fountain pens, rubber stamps or printer heads
- Hardware such as cog-wheels, valves, emblems and machine parts
- Eating and cooking utensils
- CDs and DVDs

Important notes:

Due to their structure, some gems are not suitable for cleaning and can be badly damaged. These include but are not limited to the following:

**Emeralds • Corals • Pearls • Mother of Pearl
• Turquoise • Opals • Malachite • Lapis Lazuli
• Tiger Eye • Black Onyx**

Please contact a jewelry professional if you are unsure about your gem stone.

Objects that are not water-tight or that should come into contact with water may not be cleaned in the Ultrasonic Cleaner.

Please always confirm the clean-ability of your object before placing it in the Ultrasonic Cleaner.

We are not liable for damages resulting from ultrasonic cleaning. If you are unsure of the object's suitability, please contact the manufacturer or the vendor of the object in question.

Before first use

Read through all instructions before use.

Before the first use, remove all packaging material.

Loading the Ultrasonic Cleaner

When loading, please observe that delicate surfaces (e.g. the glass of a pair of eye-glasses or a watch) point upwards, in order to avoid scratching.

Use of accessories:

Cleaning basket:

If you want to clean small objects, place the cleaning basket into the cleaning container and insert the object to be cleaned. In this way you can avoid possible vibrations. However, the cleaning power will be reduced by approx. 30 %.

Fill the cleaning container with water. Do not exceed the MAX mark in the cleaning container or the cleaning basket respectively.



Caution!

Never clean glasses that have a coating (e.g. anti-glare, tinting, etc.). Cleaning with ultrasound can cause these coatings to dissolve.

Cleaning stand for watches:

If you would like to clean a watch, use the included cleaning stand (see illustration). The stand prevents the chain links of the bracelet from being jolted during cleaning, thereby enabling more thorough cleaning.



Watches which, according to the manufacturer, are not water-tight and may not come into contact with water, should not be cleaned in the Ultrasonic Cleaner.

Please also observe that the sealing of water-tight watches wears with time and may not be able to withstand cleaning.

Ensure prior to cleaning, that the watch is suitable for ultrasonic cleaning!

Cleaning CDs and DVDs:

USA

For cleaning CDs and DVDs, you can use the included CD holder. The holder is suitable for cleaning CDs and DVD's at the same time.

Insert a CD onto the post in the holder.

Then place the spacer on the first CD.

You can place a second CD on the holder.

Now place the holder containing the CDs into the cleaning container.



Caution!

Never clean CDs/DVDs that have been scratched on the printed side. Cleaning with ultrasound could cause the reflexion layer of the data media to loosen, resulting in destruction of the data media. We exclude all liability for the loss of data.

Caution!

Never clean writable or rewritable CDs and DVDs, as cleaning could result in destruction of the data media.

Start of cleaning

Place the ultrasonic cleaner on a level surface.

Place your objects in the cleaner and fill with water as instructed.

To reduce the noise level, you can close the cover, but it not necessary for the funtionallity.

Plug in the unit.

The red control lamp will illuminate on the operating panel.

Press the **ON** button to start cleaning; The blue container illumination lights up inside the device and goes out after completion of the cleaning process.

Timer

The appliance has an electronic 5-Step-timer. With this timer you can choose the length of the cleaning cycle.

Please press the **SET** button until the display shows the desired time. You can choose a cleaning cycle of 90 - 180 - 300 - 480 or 600 seconds.

90 seconds: Recommended for very light cleaning is needed or when a second brief cleaning procedure is required. If the water is found to be dirty, the liquid has to be replaced. In order to remove any residual dirt on the surface you should clean the item again for 90 seconds in the fresh liquid.

600 seconds: Recommended in order to intensify the cleaning effect.

Note:

If the cleaning time is too long it is possible that fittings, stickers and decorations that are loosely attached to objects, as well as other loose parts, e.g. screws on eye-glasses, may become detached during the cleaning process.

The device switches off the cleaning process automatically after the chosen time. You can however, manually cancel the process by pressing the OFF button.

Should the time be insufficient, simply start a new cleaning process by pressing the ON button again. However, wait at least 3 minutes before starting the next cleaning cycle, in order to avoid overloading the appliance.

During the cleaning cycle, use the window in the lid to control the cleaning process of sensitive objects, and cancel the process, if necessary.

Cleaning methods

The device offers various cleaning methods: You can strengthen the cleaning effect of the appliance by adding a mild dishwashing detergent or repeating the cleaning cycles.

Simple cleaning:

Use clear, warm water without any further additives. Ensure that all parts to be cleaned are covered by the water.

Stronger cleaning:

In the case of heavily soiled objects, add a mild dishwashing liquid.

Partial cleaning:

If you want to clean larger objects, you can allow them to protrude from the rim of the cleaning container. Ensure that the device does not tilt over.

Intense cleaning:

If you want to carry out intense cleaning, perform the cleaning process at least twice. Replace the cleaning fluid prior to each further cleaning process.

Caution!

Do not use acidic, aggressive, volatile or abrasive cleaning agents. Inflammable cleaning additives such as spirits evaporate in the Ultrasonic Cleaner and can therefore easily ignite if they come into contact with an ignition source. Acidic, aggressive, volatile or abrasive cleaning agents can damage or scratch the stainless steel tank or objects to be cleaned.

After cleaning

Remove the items from the water tank and dry them off with a clean and dry cloth, in order to remove any still-existing dirt particles. If applicable, leave objects on the cloth to dry completely.

Caution!

Always unplug the unit before refilling or emptying the unit.

Do not leave water or cleaning fluids in the cleaning tank!

Empty out the liquid and clean the appliance before storing it.

Cleaning

Use a well-wrung, slightly moistened cloth to clean the appliance and its accessories. Use this to carefully wipe the cleaning container and the casing.

Caution!

Prior to each cleaning of the appliance, unplug the unit.

In order to avoid damage to the appliance, never submerge the appliance in water or other liquid during cleaning!

Never use acidic, aggressive or abrasive cleaning agents. These may damage the surfaces. Use mild dishwashing liquid instead, if required. Clean the cleaning basket and cleaning stand for wristwatches with mild dishwashing liquid under running water.

Note:

No components of this item are dishwasher safe, hand wash only.

Dry everything carefully with a soft cloth.

Storage

Place the equipment into the cleaning container and close the lid to keep the container clean. Preferably store the Ultrasonic Cleaner in its original packaging. This ensures safe storage.

Limited Warranty



Thank you for purchasing a top quality product. This Ultrasonic Cleaner was tested and met our stringent quality standards. This product is warranted to be free from manufacture's defects and workmanship for 2 years with dated proof of purchase receipt.

The warranty is void if the defect is due to accidental damage, misuse, abuse, neglect, improper repair or alteration by unauthorized persons or failure to follow operation instructions provided with the product. This warranty does not apply to commercial use.

The warranty is non-transferable and applies only to the original purchase and does not extend to subsequent owners of the product. Liability under this warranty is limited to repair, replacement parts or refund at EuroCentra's discretion. In no event shall liability exceed the purchase price paid by the purchaser of the product. Under no circumstances shall there be liability for any loss, loss of profits, direct, indirect, incidental, special or consequential damage arising out of in connection with use of this product.

This warranty is valid only in the United States. This warranty gives you specific legal rights. However you may have other rights that vary from state to state. Some states do not allow limitation on implied warranties or exclusion of consequential damages therefore these restrictions may not apply to you. Due to constant product development and market changes, EuroCentra Inc. can only guarantee that spare parts or replacements will be available within the one year warranty period. After the warranty period, if needed, batteries may be purchased by contacting EuroCentra.

EuroCentra, Inc.

Toll Free 866-558-8096

Mon-Fri 10am-6pm EST

-
- 21** Introducción
 - 22** Designación de piezas
 - 23** Ámbito de suministro
 - 23** Datos técnicos
 - 24** Instrucciones de seguridad
 - 25** Seguridad y uso previsto
 - 26** Función y áreas de aplicación
 - 28-34** Uso
 - 35** Limpiar y guardar el aparato
 - 36** Condiciones de garantía
 Tarjeta de garantía

Estimado/a cliente:

le agradecemos su compra de este limpiador por ultrasonido y estamos convencidos de que le proporcionará una gran satisfacción en el futuro.

Para garantizar su seguridad le rogamos que:

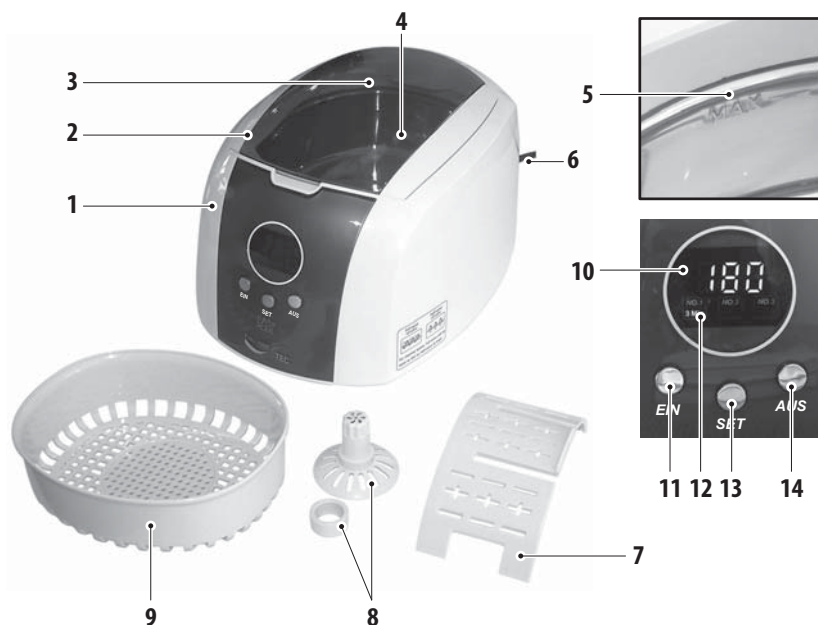
lea atentamente este manual de instrucciones y se atenga a las instrucciones de seguridad.

Archive este manual en un lugar seguro y no olvide entregárselo a cualquier otro usuario del aparato.

Guarde el embalaje para transportar el aparato en el futuro. Los materiales de embalaje son materias primas, por lo que, cuando desee eliminarlos, deberá depositarlos en un punto de reciclaje conforme a la normativa vigente.

Designación de piezas

USA



- | | | | |
|----------|--|-----------|----------------------------|
| 1 | Carcasa | 8 | Soporte para
2 CD o DVD |
| 2 | Tapa de la carcasa | 9 | Filtro |
| 3 | Mirilla | 10 | Pantalla |
| 4 | Depósito de limpieza | 11 | Botón ON |
| 5 | Marca MAX para nivel
máximo de agua | 12 | Luz de control |
| 6 | Cable de alimentación | 13 | Botón SET |
| 7 | Soporte de limpieza
para relojes | 14 | Botón OFF |

- Limpiador por ultrasonido
- Filtro
- Soporte de limpieza para relojes
- Soporte para 2 CD o DVD
- Manual de instrucciones
- Tarjeta de garantía

Datos técnicos

Tensión de alimentación:	100-120V~, 60Hz
Absorción de potencia:	38W
Frecuencia de limpieza:	46kHz
Ajuste del temporizador:	5 niveles (de 90 a 600 segundos)
Capacidad del depósito hasta la marca MAX:	aprox. 20.3 fl oz (0.6 l)

Debido a que nuestros productos son sometidos a constantes procesos de perfeccionamiento y mejora, pueden darse modificaciones en el diseño y la técnica de los mismos.

Atención!

Nunca debe utilizar el aparato sin agua para evitar que sufra daños.

- No utilizar en exteriores. Uso exclusivamente doméstico.
- Utilizar únicamente como se explica en el manual
- No utilizar como un juguete.
- No permitir a los niños utilizar el limpiador por ultrasonido ni acercarse demasiado a él durante el uso.
- Mantenga los materiales de embalaje lejos del alcance de los niños, ya que podrían suponer un peligro de asfixia.
- No utilice el aparato con su cable o enchufe dañados. Tampoco debe utilizarlo si se ha caído o dañado.
- Para desconectar el aparato de una toma de alimentación, tire del enchufe o del cargador en lugar del cable.
- No utilizar con las manos mojadas.
- No utilizar materiales abrasivos en el equipo limpiador.
- No sumergir la unidad en agua.
- Lea y observe todas las instrucciones de funcionamiento.
- No utilizar con cable alargador. Enchufar directamente a una toma de alimentación eléctrica.
- Cuando el producto no se esté utilizando, manténgalo desenchufado y guardado para evitar el peligro de accidente.

Instrucciones generales de seguridad

ATENCIÓN:

Lea y entienda todas las instrucciones. Si no sigue todas las instrucciones podría sufrir una electrocución, incendio o lesiones graves.

Las advertencias, medidas de precaución e instrucciones comentados en este manual de instrucciones no pueden abarcar todos los casos y situaciones que puedan producirse.

El usuario debe entender que el sentido común y la precaución son un factor que no puede incluirse con este producto, sino que debe ser aportado por el usuario.

- Mantenga una distancia adecuada con respecto a hornos de gas o eléctricos.
- No coloque objetos fácilmente inflamables o fundibles cerca del aparato.
- Uso exclusivo en interiores.
- No deje el limpiador por ultrasonidos sin vigilancia durante el funcionamiento.
- Mantenga un espacio de descanso entre varios ciclos de limpieza de 3 minutos como mínimo para evitar sobrecargar el aparato.
- Todas las tareas realizadas en este aparato y junto a él deben realizarse conforme a las instrucciones de este manual.

Función y áreas de aplicación

Función

El aparato genera ondas de ultrasonido que se transmiten por el agua y despiden partículas de suciedad e impurezas de todas las superficies en contacto con el agua. Además se forman pequeñas burbujas de aire, sobre todo en superficies limítrofes entre el agua y otros objetos que, al romperse, generan una alta presión durante un breve espacio de tiempo y, a consecuencia de ello, desprenden mecánicamente la suciedad y otros residuos incrustados. La adición de detergente lavavajillas suave puede aumentar el efecto limpiador. No utilice sustancias químicas o detergentes agresivos.

Ámbito de aplicación

Las posibilidades de uso del limpiador por ultrasonido son prácticamente infinitas.

- Bisutería, gafas, relojes resistentes al agua
- Objetos de uso cotidiano, como cuchillas de afeitar, cabezales de máquinas de afeitar o dentaduras postizas (solo prótesis completas, sin revestimiento)
- Materiales de escritura, como plumas, portaplumas, sellos
- Productos de metal, como ruedas dentadas, válvulas, insignias, componentes de máquinas y pletinas conductoras
- Vajilla y utensilios de cocción
- CD/DVD

Consejos importantes:

Algunas piedras preciosas no son aptas, debido a su estructura, para la limpieza con este método, y pueden resultar dañadas por este tipo de limpieza. Estas son, entre otras, las siguientes. Póngase en contacto con un joyero profesional si duda sobre su piedra preciosa.

**Esmeralda • Coral • Perla • Madreperla
• Turquesa • Ópalo • Malaquita • Lapislázuli
• Ojo de tigre • Ónice negro**

Los objetos que no sean impermeables al agua o que puedan entrar en contacto con el agua no deben limpiarse en el limpiador por ultrasonido.

Asegúrese siempre de que el objeto que desea limpiar pueda ser limpiado en el Ultrasonic Cleaner antes de colocarlo en su interior.

No nos hacemos responsables de los daños generados por la limpieza por ultrasonidos. Ante la duda sobre la idoneidad del objeto, póngase en contacto con el fabricante del objeto en cuestión.

Antes del primer uso

Lea atentamente todas las instrucciones antes del uso.

Antes del primer uso, retire todos los materiales de embalaje.

Carga del limpiador por ultrasonido

Durante la carga, procure que las superficies sensibles (p.ej. el cristal de unas gafas o de un reloj) queden mirando hacia arriba, para evitar que se produzcan arañazos.

Uso del accesorio:

Filtro:

Si desea limpiar objetos pequeños, coloque el filtro en el recipiente de limpieza e inserte el objeto que desea limpiar. Así evitará posibles vibraciones. Además, la potencia de limpieza será un 30 % menor.

Llene de agua el recipiente de limpieza. No sobrepase la marca MAX del recipiente de limpieza o del filtro accesorio.



¡Atención!

Nunca limpie las gafas que presenten revestimiento (p.ej. antirreflectante, con cristales tintados, etc.). Los revestimientos podrían soltarse al ser limpiados con ultrasonido.

Soporte de limpieza para relojes:

Si desea limpiar un reloj de muñeca, utilice el soporte de limpieza incluido (véase ilustración). El soporte evita que las esclavas de la pulsera del reloj se compriman entre sí y permite así una limpieza más profunda.



Los relojes que, conforme al fabricante, no sean impermeables y no puedan entrar en contacto con el agua no deben limpiarse en el limpiador por ultrasonidos.

Observe asimismo que el sellado de los relojes impermeables se desgasta con el tiempo y puede que no soporte la limpieza.

Asegúrese previamente a la limpieza de que el reloj es apto para limpieza por ultrasonidos.

Limpieza de CD y DVD:

USA

Para limpiar CD y DVD puede utilizar el soporte incluido. El soporte es apto para la limpieza simultánea de dos CD y DVD.

Inserte un CD o DVD en la punta del soporte.

Luego, coloque el soporte sobre el primer CD.

Ya puede colocar el segundo CD o DVD sobre el soporte.

Coloque el soporte con los CD o DVD en el recipiente de limpieza.



¡Atención!

Nunca debe limpiar CD o DVD rayados por la cara impresa. Mediante la limpieza por ultrasonidos se suelta la capa de reflexión del soporte de datos y lo destruye. No nos hacemos responsables de la pérdida de datos.

¡Atención!

No limpie CD grabables o regrabables, ya que al limpiarlos también se podría destruir el soporte de datos.

Inicio de la limpieza

USA

Coloque el limpiador por ultrasonidos sobre una superficie llana.

Coloque sus objetos en el limpiador y llénelo de agua tal y como se explica.

Para reducir el nivel de ruido puede cerrar la tapa, aunque no es necesario para que funcione. Enchufe el equipo.

El piloto rojo se iluminará en el panel de operación.

Pulse el botón **ON** para iniciar el proceso de limpieza; se iluminará la luz azul del recipiente en el interior del aparato y se apagará al finalizar el proceso de limpieza.

Temporizador

El aparato dispone de un temporizador electrónico de 5 niveles, con cuya ayuda puede ajustar la duración deseada del proceso de limpieza.

Para ello, pulse el botón **SET** hasta que se muestre la hora deseada. Para ello puede seleccionar la duración de la limpieza, de 90 – 180 – 300 – 480 o 600 segundos.

90 segundos: Recomendado si se necesita una limpieza muy suave o para una segunda limpieza breve. Si el agua está sucia, el líquido debe sustituirse. Para eliminar cualquier suciedad residual sobre la superficie debe limpiar el objeto de nuevo durante 90 segundos en el líquido recién vertido.

600 segundos: es el mayor intervalo de tiempo. Recomendado para reforzar el efecto de limpieza.

Observación :

Con intervalos de limpieza prolongados pueden soltarse herrajes sueltos, pegatinas o elementos decorativos de los objetos, así como otras piezas no fijas, p.ej. tornillos de las gafas, durante el ciclo de limpieza.

Al finalizar este tiempo, el aparato se apaga automáticamente. Puede interrumpir el proceso antes de tiempo manualmente pulsando el botón OFF.

Si no ha sido suficiente el tiempo ajustado para limpiar el objeto, solo tiene que ejecutar un nuevo ciclo de limpieza. No obstante, espere 3 minutos como mínimo antes de iniciar el siguiente ciclo de limpieza para evitar la sobrecarga del aparato.

Con objetos sensibles, compruebe la limpieza durante el ciclo de limpieza mirando a través de la mirilla de la tapa para poder interrumpirlo en cualquier momento cuando sea necesario.

Opciones de limpieza

USA

El aparato puede utilizarse de varias formas. Puede reforzar la potencia limpiadora del aparato agregando lavavajillas suave o repitiendo los ciclos de limpieza.

Limpieza sencilla:

Utilice agua caliente del grifo sin añadir ninguna otra sustancia. Procure que los objetos que desea limpiar queden cubiertos por el agua.

Limpieza intensa:

En objetos con suciedad muy incrustada utilice un lavavajillas suave disuelto en el agua.

Limpieza parcial:

Si desea limpiar objetos de gran tamaño, éstos pueden sobresalir más allá del borde del limpiador. Procure que el aparato no se vuelque.

Limpieza intensiva:



Si desea realizar una limpieza intensiva, realice una limpieza intensiva dos veces o con mayor frecuencia. Antes de comenzar cada ciclo de limpieza, sustituya el líquido limpiador.

¡Atención!

No utilice medios limpiadores fuertes, agresivos, volátiles o abrasivos. Los aditivos de limpieza inflamables, como el alcohol, se evaporan en el aparato limpiador por ultrasonidos y pueden inflamarse fácilmente al entrar en contacto con chispas eléctricas o con el fuego. Los aditivos de limpieza fuertes, agresivos y abrasivos pueden dañar y rayar el recipiente de limpieza o los objetos que desean limpiarse.

Después de la limpieza

Retire los objetos del recipiente de limpieza y séquelos con un paño limpio y seco para retirar posibles partículas de polvo aún presentes. Deje secar los objetos, si fuera preciso, colocándolos sobre el paño.

¡Atención!

Desenchufe siempre la unidad antes de rellenarla o de vaciarla.

No deje agua ni solución limpiadora dentro del recipiente de limpieza.

Evacúe el líquido y luego limpie el aparato antes de guardarlo.

Limpiar y guardar el aparato

Limpieza del aparato

Para limpiar el aparato y su accesorio debe utilizar exclusivamente un paño ligeramente humedecido bien escurrido. Limpie con él a fondo el recipiente de limpieza y la carcasa.

¡Atención!

Antes de cada limpieza del equipo, desenchufe la unidad.

Nunca sumerja el aparato en agua u otros líquidos para limpiarlo a fin de evitar daños en el mismo.

No utilice limpiadores fuertes, agresivos o abrasivos para evitar daños en la superficie del aparato; en caso de necesidad, utilice un lavavajillas suave. Limpie el accesorio con limpiador suave lavándolo bajo un chorro de agua corriente.

Observación :

Ninguno de los componentes de este artículo son aptos para lavavajillas, lavar exclusivamente a mano.

Seque todo bien con un paño suave.

Almacenaje

Coloque el accesorio en el recipiente de limpieza y cierre la tapa para mantener limpio el aparato.

Guarde el limpiador por ultrasonido en su embalaje original. En este lugar quedará bien protegido.

Condiciones de garantía



Gracias por adquirir un producto de primera categoría. Este limpiador por ultrasonido ha sido comprobado y cumple nuestras más estrictas normas de calidad. Este producto está garantizado como libre de defectos de fabricación y mano de obra durante 2 años con recibo justificante de la compra debidamente fechado.

Esta garantía quedará anulada si el defecto se debe a daños accidentales, uso indebido, abuso, negligencia, reparación indebida o alteración por personal no autorizado o inobservancia de las instrucciones de funcionamiento u operación del producto. Esta garantía no es aplicable para el uso comercial del producto.

La garantía es no transferible y solo es aplicable a la compra original y no se amplía a posteriores propietarios del producto. La responsabilidad de conformidad con este garantía está limitada a la reparación, piezas de repuesto o reembolso a discreción de EuroCentra. La responsabilidad no excederá en ningún caso el precio de compra pagado por el comprador del producto. En ningún caso existirá responsabilidad por cualquier pérdida, pérdida de beneficios, ya se trate de daños directos o indirectos, incidentales, especiales o consecuenciales debidos a o en relación con el uso de este producto.

Esta garantía es válida únicamente en Estados Unidos. Esta garantía le otorga derechos legales específicos. No obstante, puede que usted tenga otros derechos que pueden variar en función del estado en que se encuentre. Algunos estados no permiten limitación de garantías implícitas o exclusión de daños consecuenciales, por lo que estas restricciones pueden no ser aplicables en su caso.

Debido al constante perfeccionamiento del producto y cambios en el mercado, EuroCentra Inc. solo puede garantizar que las piezas de repuesto o sustituciones estarán disponibles en un plazo máximo de un año de garantía. Después de dicho período de garantía, si fuera necesario, las pilas pueden adquirirse poniéndose en contacto con EuroCentra.

EuroCentra, Inc.

Teléfono gratuito 866-558-8096

De lunes a viernes y de 10:00 h a 18:00 h. EST (hora del Este de EE. UU.)

EASY
HOME

WARRANTY CARD

TARJETA DE GARANTÍA

USA

ULTRASONIC CLEANER

LIMPIADOR POR ULTRASONIDO

Your details / Sus detalles:

Name / Nombre _____

Address / Dirección _____

 _____ E mail _____

Date of purchase / Fecha de compra* _____

* We recommend you keep the receipt with this warranty card /
Recomendamos guardar el recibo junto con esta tarjeta de garantía

Location of purchase / Lugar de compra _____

Description of malfunction / Descripción del defecto:




EuroCentra Inc.
801 Circle Ave.
Forest Park, IL 60130

Phone:
1-866-558-8096

Mail:
service@eurocentra.net

AFTER SALES SUPPORT • SERVICIO DE POSTVENTA

  **1-866-558-8096**

 **service@eurocentra.net**

PRODUCT CODE: 91960, 01/2015

2

YEAR WARRANTY

