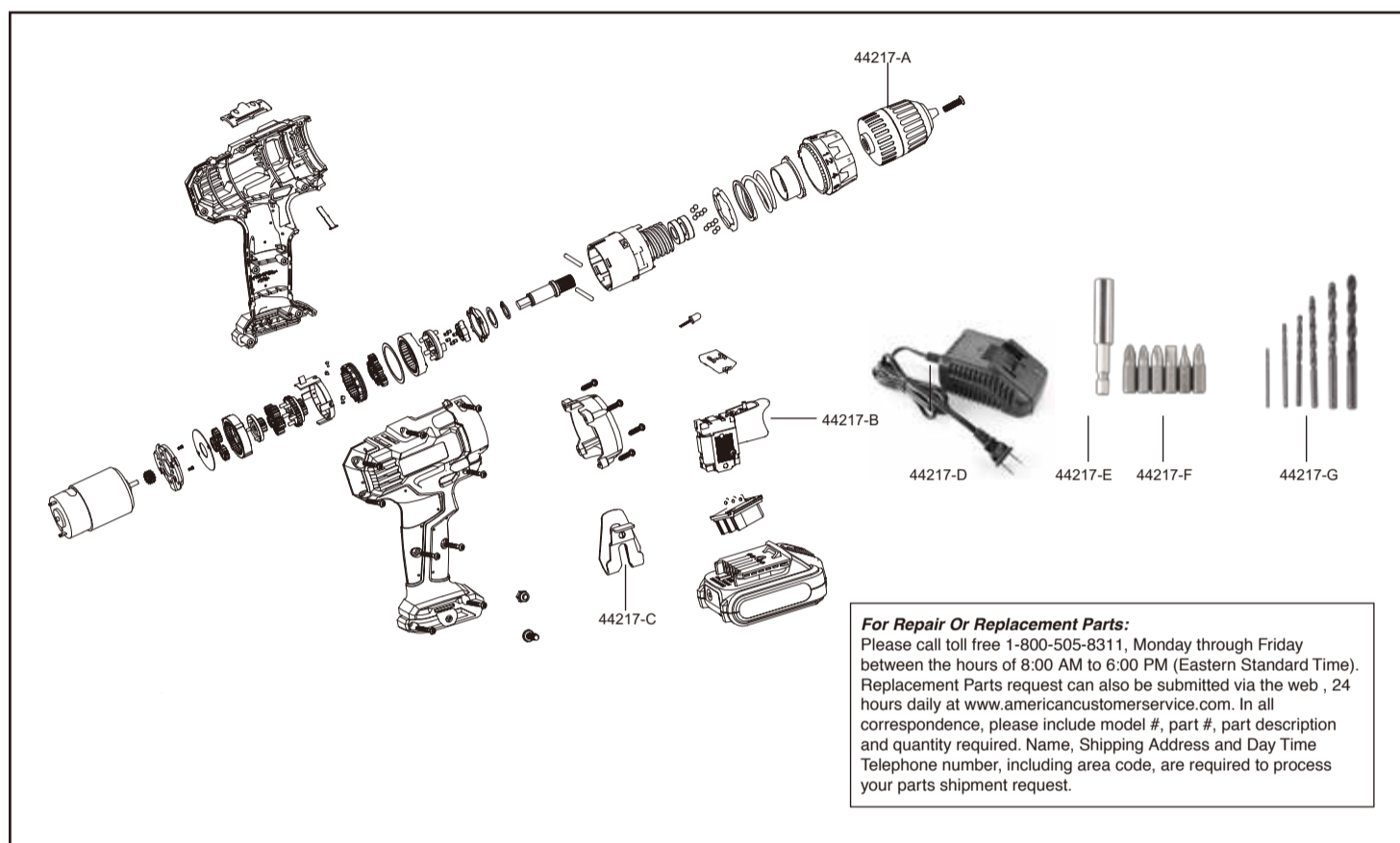




12 Volt Cordless Drill Model 44217 Replacing Parts List



For Repair Or Replacement Parts:
Please call toll free 1-800-505-8311, Monday through Friday between the hours of 8:00 AM to 6:00 PM (Eastern Standard Time). Replacement Parts request can also be submitted via the web , 24 hours daily at www.americancustomerservice.com. In all correspondence, please include model #, part #, part description and quantity required. Name, Shipping Address and Day Time Telephone number, including area code, are required to process your parts shipment request.

PARTS LIST

| PART NO. | DESCRIPTION | Q'T |
|----------|-----------------------|-----|
| 44217-A | Keyless Chuck | 1 |
| 44217-B | On/off Switch | 1 |
| 44217-C | Belt Buckle | 1 |
| 44217-D | Fast Charger | 1 |
| 44217-E | Bitholder | 1 |
| 44217-F | 6pcs Screwdriver Bits | 1 |
| 44217-G | 6pcs HSS Drill Bits | 1 |

| | | | | | |
|--|------------|---|------------------|------------------------|-----------------|
| TEST RITE PDS 540 File Information | | Division: Auto | File NO.: 201602 | Packaging Design | |
| Client: ALDI | Client ID: | Item NO.: 44217 | | Implement Confirmation | |
| Packaging Description: Part list | | Package Size: 21x29.7cm | | Sales Division | Design Division |
| Email: art-window@testritegroup.com art-sha-design@testritegroup.com | | Finish Date: | | Janet | Sharon |
| Colors: CMYK | Cutter: ES | Signed by Applicant & Sales Division (201602 for All Items) | | Applicant | Designer |
| | | | | Julie | Daisy |