



3-BIKE TRUNK RACK USER MANUAL



2
YEAR WARRANTY

After Sales Support

By purchasing this Bikemate product you can be assured, that as well as your 2 year warranty, you also have the support of our dedicated service line.

AFTER SALES SUPPORT

 **800-671-6035**
Monday-Friday from 8am to 5pm EST

 service@gsctechnology.com

MODEL: SC-T103

Congratulations!

You have made an excellent choice with the purchase of this quality Bikemate® product. By doing so, you now have the peace of mind which comes from purchasing a product that has been manufactured to the highest standards of performance and safety.

In order for you to be completely satisfied with your purchase, this Bikemate® product is backed by a comprehensive manufacturer's 2 year warranty and after sales service through our dedicated customer support line.

We hope you will enjoy using this purchase for many years to come.

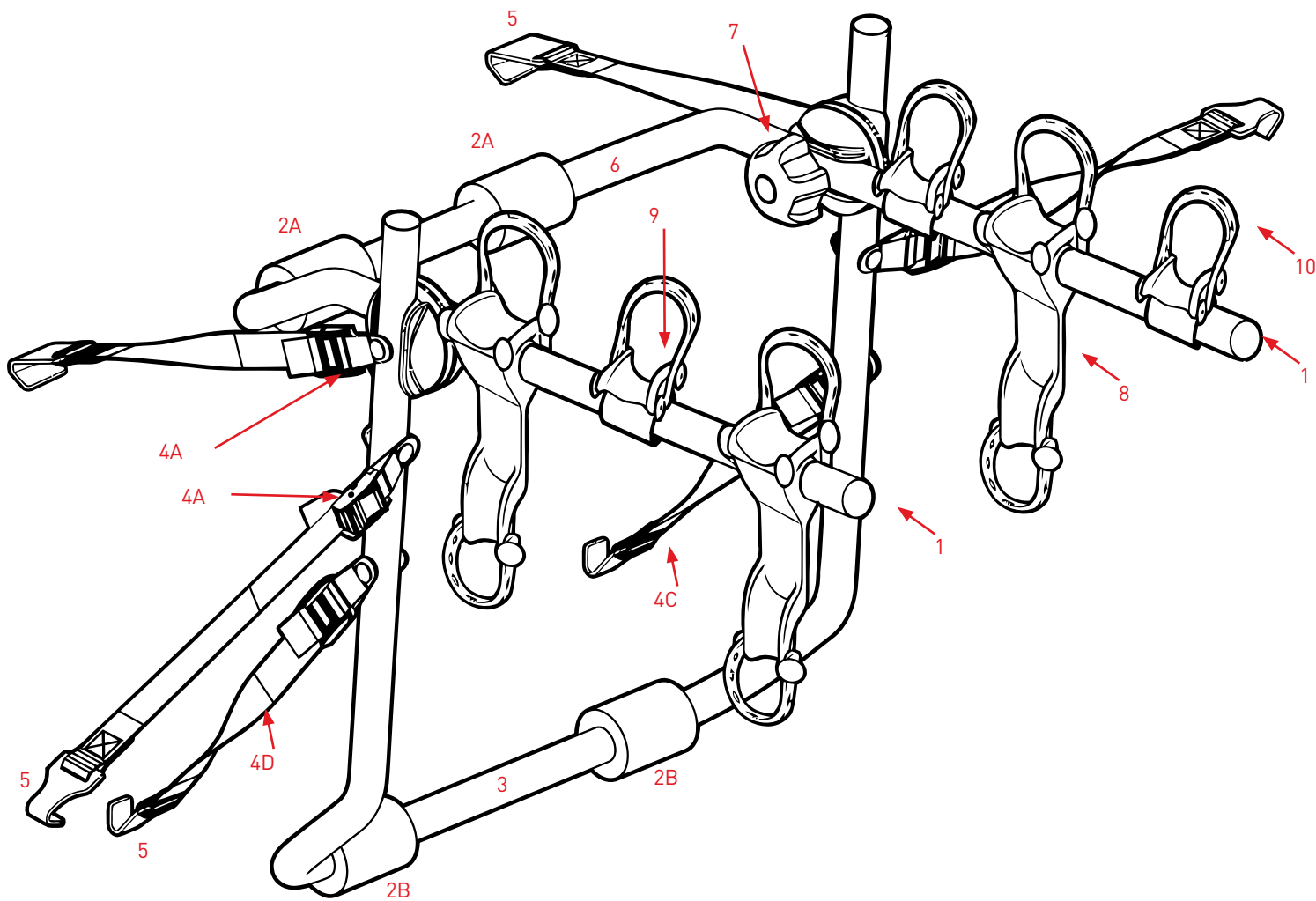
If you require technical support or in the unlikely event that your purchase is faulty, please telephone our support line for immediate assistance. Faulty product claims can be made within the 2 year warranty period provided that you have dated proof of purchase **(KEEP YOUR RECEIPT)**. Be aware that the warranty will become null and void if the product is found to have been deliberately damaged, misused or disassembled.

WARNING

- Do not exceed the load capacity for the 3-bike trunk rack
 - Maximum weight per bike is 35 lbs with a maximum load of 3 bikes
- Some vehicles cannot safely accept any rear trunk carrier. This trunk carrier has been design to protect the paint of the vehicle if mounted properly.
 - Check tightness of all hooks, locking spring hubs and straps frequently.
- Bicycle tires cannot hang near the exhaust pipe. Exhaust pipe could melt and damage the tires.
 - Check rubber security strap for wear and replace immediately if worn.
 - This trunk bike trunk carriers is not intended for off-road use.
 - This trunk bike carriers is not for tandems or recumbent bikes.
 - Do not install on a trailer or other towed vehicle.
- Failure to use red security straps is extremely dangerous and may result in loss of bicycles.
 - Max capacity: 105 lbs
- Incorrect installation can result in an automobile accident and present potential life threatening hazards to other automobiles on the road.

Parts Overview

4



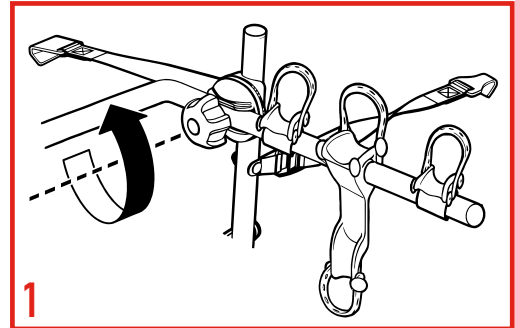
Item	Description	Qty
1	Bike support arm assembly	1
2A	Scratch resistant foam bumpers	2
2B	Scratch resistant foam bumpers	2
3	Lower trunk support	1
4A	Tie down strap with rubber covered hook & camlock buckle	2
4B	Tie down strap with rubber covered hook & camlock buckle	2
4C	Tie down strap with rubber covered hook & camlock buckle	2
4D	Tie down strap with rubber covered hook & camlock buckle	2
5	Rubber covered hooks	6
6	Upper trunk frame	1
7A	Adjustable locking hub	1
7B	Adjustable locking hub	1
8	Anti sway bike frame support saddle	3
9	Horizontal bike frame support saddle	3
10	Adjustable rubber straps for No.8 & No.9	3
11	Red safety strap	9

Using the bike rack

5

LOCKING HUBS ADJUSTMENT

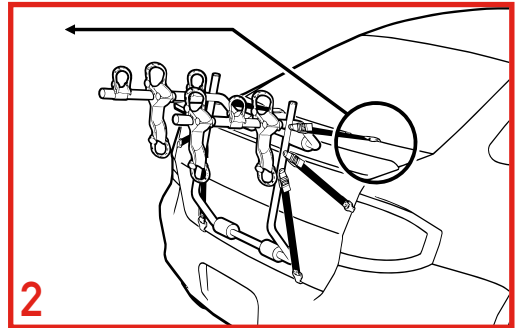
Loosen the two adjustable locking hubs by turning the knobs on each hub 2 or 3 turns only so that the spring loaded hubs release the interlocking teeth.



BIKE SUPPORT ARM POSITIONING SECURE LATERAL STRAPS

Adjust the bike support arms until they tilt slightly upward. Tighten the adjustable locking hubs by turning the knobs until the teeth on the hubs interlock.

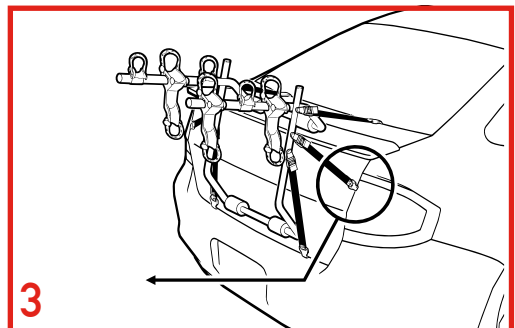
Now hold the trunk mount carrier in place in the center of your car trunk and attach the 2 upper straps with rubber hooks on to the leading edge of the trunk (See detail in figure 2).



SECURE LATERAL STRAPS

Now attach the 2 lateral straps with rubber hooks to the side lips of the trunk as show in figure 3.

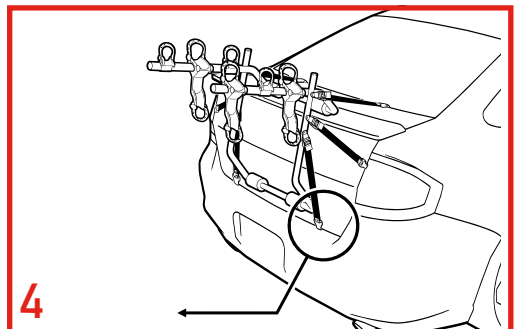
The hooks will seek there final position as the straps are tightened.



SECURE LOWER STRAPS

Now attach the 2 lower straps with rubber hooks to the lower lip of the trunk (as shown in figure 4).

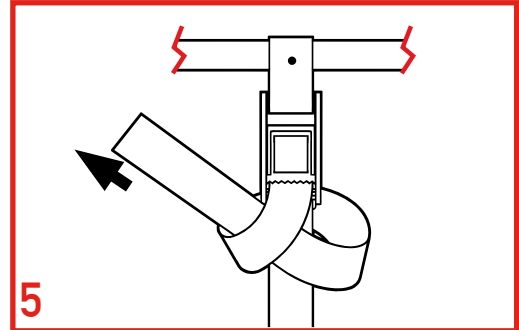
Tighten all straps making sure that the bike carrier remains centralized on the trunk lid.



Using the bike rack continued

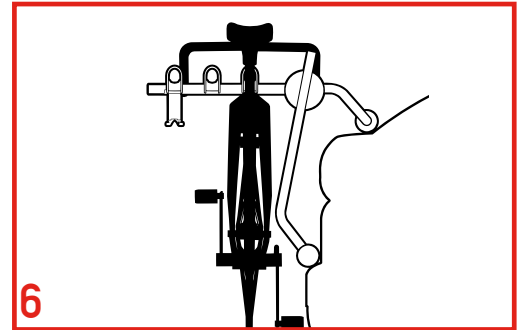
TIE A KNOT FOR ADDED SECURITY

Tighten all the straps securely. For added security tie a knot in the free end of each strap refer to figure 5.



BICYCLE TRANSPORTATION

Load the heaviest bike first onto bike arm so that the heaviest bike is closest to the vehicle (as shown in figure 6).



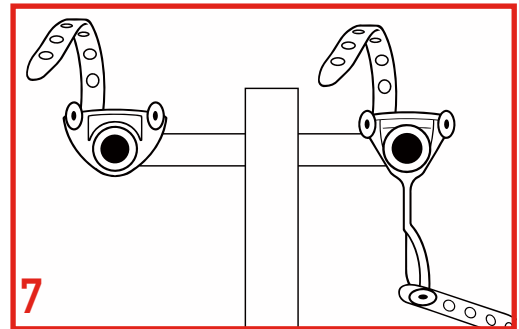
DIFFERENT BIKE FRAMES

Anti sway cradles (Part #8) can be rotated on the bike arm to accommodate different bike frames.

Alternate direction of bikes when loading

Parts #9 Horizontal bike frame support saddle

Parts #8 Anti sway bike frame support saddle

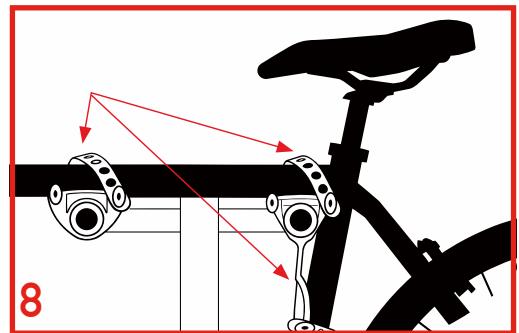


TIGHTEN RUBBER STRAPS (PART 10)

IMPORTANT !

Ensure rubber straps (part #19) are tightened securely around bike frame.

Adjustable rubber straps for No.8 & No.9

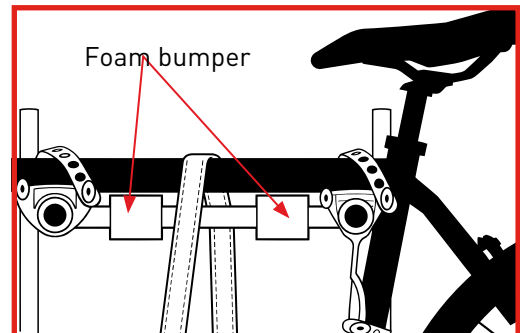


Using the bike rack continued

RED SECURITY STRAP

Loop the red security strap around all bikes that are mounted on the bike carrier and around the upper trunk frame of the bike support arm in the space between the scratch resistant foam bumpers.

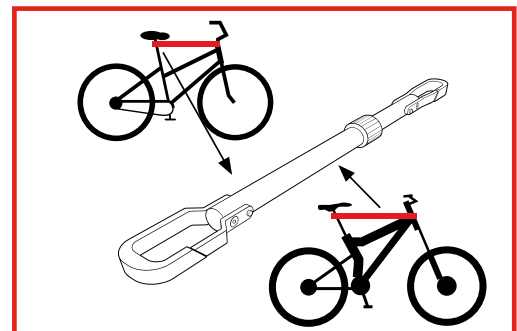
Tighten the red security strap so that all bikes are held close to the rear of the vehicle. This will prevent the bikes from rocking backwards and forwards during acceleration or deceleration of the vehicle.



Optional

OPTIONAL ACCESSORY (NOT INCLUDED)

Angular type bike frames require the optional Bike Frame Adapter accessory. (SC-BA01) To mount bike to carrier as shown on the previous figure.





3-BIKE TRUNK RACK

Your details:

Name _____

Address _____

 _____ E mail _____

Date of purchase* _____

* We recommend you keep the receipt with this warranty card

Location of purchase _____

Description of malfunction:

Return your completed warranty card to:

GSC Technologies Corporation
160 Vanier Street
St-Jean, Quebec
J3B 3R4
Canada
service@gsctechnology.com

AFTER SALES SUPPORT

 **800-671-6035**  service@gsctechnology.com

Monday-Friday from 8am to 5pm EST

MODEL: SC-T103

2

YEAR WARRANTY