



KITCHEN *Living*

hot air popcorn popper

USER GUIDE



Now that you have purchased a Kitchen Living product you can rest assured in the knowledge that as well as your 2-year parts and labor guarantee you have the added peace of mind of dedicated helplines and web support.

AFTER SALES SUPPORT



USA 888 775 0202



cshelp@mcappliance.com

MODEL: KLPM14W, ITEM # 44991-14

Contents

- 03 Introduction
- 04 General Safety Instructions
- 05 Important Safety Instructions
- 07 Specifications
- 08 Parts and Features
- 09 Operation
- 11 Care and Cleaning
- 12 Warranty
- 13 Warranty Card
- 15 Index

Introduction

Congratulations!

You have made an excellent choice with the purchase of this quality Kitchen Living product.

By doing so you now have the assurance and peace of mind which comes from purchasing a product that has been manufactured to the highest standards of performance and safety, supported by the high quality standards of ALDI.

We want you to be completely satisfied with your purchase so this Kitchen Living product is backed by a comprehensive manufacturer's 2-year warranty and an outstanding after sales service through our dedicated After Sales Support.

We hope you will enjoy using your purchase for many years to come.

If you require technical support or in the unlikely event that your purchase is faulty please telephone our After Sales Support for immediate assistance. Faulty product claims made within the 2-year warranty period will be repaired or replaced free of charge provided that you have satisfactory proof of purchase (keep your receipt). This guarantee is in addition to your statutory rights. Your statutory rights are not affected. The limited warranty does not apply in cases of damage caused by accident, improper use, abuse or force majeure.

The limited warranty will be invalidated if the appliance is tampered with in any way whatsoever. In case of questions or technical problems please call the following toll-free After Sales Support number: 1-888-775-0202, Monday through Friday 7:30am to 7:00pm CST.

If the appliance has to be returned to us, it must be packed correctly as we cannot accept any responsibility for damage caused in transit.

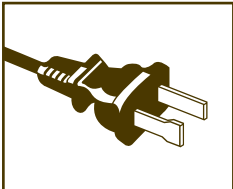
THIS PRODUCT IS INTENDED FOR HOUSEHOLD USE ONLY

WARNING: Read and understand all safety precautions. Failure to follow all instructions described in this user guide may result in electric shock, fire, property damage or serious personal injury. The warnings, cautions, and instructions discussed in this user guide cannot cover all possible conditions and situations that may occur. It must be understood by the user that common sense and caution are attributes which cannot be built into the appliance, but must be supplied by the user.

Electric Power

If an electric circuit is overloaded with other appliances, the hot air popcorn popper may not operate properly. The appliance should be operated on a separate electrical circuit from other operating appliances.

Polarized Plug



The popcorn popper has a polarized plug (one blade is wider than the other). To reduce the risk of electric shock, this plug is intended to fit into a polarized outlet only one way. If the plug does not fit fully into the outlet, reverse the plug. If it still does not fit, contact a qualified electrician. DO NOT attempt to modify the plug in any way. If the plug fits loosely into the AC outlet or if the AC outlet feels warm, DO NOT use that outlet.

CAUTION: A short power supply cord is provided to reduce the risk of becoming entangled in or tripping over a longer cord. An extension cord is not recommended for use with this product, but if necessary, the marked electrical rating must be at least as great as that of the product. Arrange the extension cord so that it will not drape over the countertop or tabletop where it can be tripped over or pulled. DO NOT modify the plug and/or extension cord with this appliance, including any of the prongs on the plug.

SAVE THESE INSTRUCTIONS FOR FUTURE REFERENCE

Important Safety Instructions

2

When using your popcorn popper, basic safety precautions should be observed, including the following:

1. Read all instructions before operating your popcorn popper.
2. DO NOT use this appliance for purposes other than its intended use.
3. Household use only. DO NOT use outdoors.
4. Keep the unit out of the reach of children and pets. This product is not intended for use by children or incapacitated persons.
5. Close supervision is necessary when the appliance is used near children, incapacitated persons or pets.
6. Before using for the first time, ensure that the voltage of the unit corresponds to the voltage in your home.
7. DO NOT place the popcorn popper on or near a hot gas or electric burner, in a heated oven, refrigerator, freezer or the like.
8. DO NOT modify the popcorn popper. Failure to comply with the precautions/cautions, warnings and recommendations in this user guide will nullify your warranty and may result in injury or even death.
9. Leave open space between the popcorn popper and surrounding objects during use.
10. Only operate the popcorn popper on a flat, level and heat-resistant surface.
11. To disconnect, ensure the popcorn popper has completed popping, then remove the plug from the wall outlet.
12. The popcorn popper should be operated on a separate electrical circuit from other operating appliances. If the electric circuit is overloaded with other appliances, the popcorn popper may not operate properly.
13. DO NOT plug in the popcorn popper unless it is properly assembled. The chute and multipurpose measuring cup/butter scoop must be in place before operating.
14. DO NOT use oil, butter or any other liquid in the popping chamber as this may damage your popcorn popper. This popcorn popper uses hot air and the use of oil, fats, shortening or other liquids is potentially hazardous.
15. If the popcorn popper overheats, it will shut off automatically.
16. DO NOT touch hot surfaces of the popcorn popper.
17. DO NOT move or lift the popcorn popper while the power cord is still connected to the wall outlet.
18. DO NOT leave the product unattended while it is in use. Always unplug the product from the electrical outlet when not in use.

19. DO NOT let the power cord hang over the edge of a table or counter. DO NOT arrange it in high traffic areas where it may be tripped over or pulled. Route the cord away from hot surfaces. DO NOT run the cord over carpets or heating sources/elements. DO NOT cover the power cord.
20. DO NOT cover the appliance while in use. DO NOT place the appliance near flammable materials such as curtains, draperies, and/or walls while in operation.
21. Never move or unplug the appliance by pulling the power cord. DO NOT put any stress on the cord where it connects to the product as the cord may fray and break. Firmly grasp the plug and remove it from the outlet.
22. DO NOT operate the popcorn popper if it has a damaged or cut power cord or plug, if wires are exposed, if it malfunctions, if it is dropped or damaged, or has missing/broken parts. This product has no user-serviceable parts. DO NOT attempt to examine or repair this product yourself. Only qualified service personnel should perform any servicing.
23. DO NOT operate the popcorn popper with a damaged outlet.
24. DO NOT plug or unplug the product into or from an electrical outlet with wet hands.
25. To protect against electric shock, DO NOT immerse the base, cord or plug in water or any other liquid.
26. Never use accessories or attachments that are not recommended by the manufacturer. They may constitute a danger to the user and may damage the popcorn popper.
27. The popcorn popper is hot. Always use oven mitts when touching the appliance after use. DO NOT attempt to move or transport the popcorn popper while it is hot. Allow all parts to cool before cleaning or unloading.
28. To avoid burns, turn the popcorn popper away from you before turning over so that steam, oil and vapor will not come into contact with your skin or clothes. The popcorn popper, stray kernels, oil and popcorn are extremely hot. Escaping steam can cause severe scalding. Keep children and others a safe distance away.
29. Always ensure the product is unplugged from the electrical outlet, has cooled down completely, and all parts have stopped before assembling, disassembling, relocating or cleaning.
30. Allow the unit to cool down completely before storing it in a cool, dry place.
31. DO NOT clean with flammable liquids or cleaners as this may cause an explosion or fire hazard.

**SAVE THESE INSTRUCTIONS
FOR FUTURE REFERENCE**



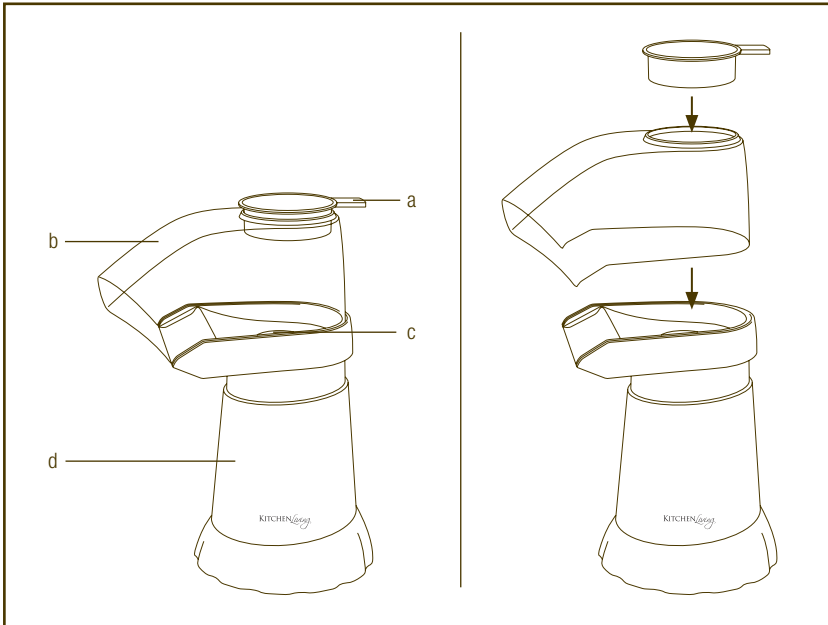
Specifications

3

Voltage Rating	120V AC, 60Hz
Power Rating	1440 Watts
Capacity	2.8 Oz. of Kernels
Product Dimensions	6.8" x 9.3" x 13.6" (W x D x H)
Net Weight	2.2 Lbs.

* Due to continuing product development, design and specifications are subject to change without notice.

Unit & Accessories



- a. Measuring Cup/Butter Scoop
- b. Chute
- c. Popping Engine
- d. Base

Before using your popcorn popper for the first time:

1. Read all instructions.
2. Unpack your popcorn popper and make sure all parts are in good condition and ready to use.
3. Wash the popcorn popper's chute and measuring cup/butter scoop in mild, warm soapy water and dry thoroughly.
4. Clean the base of the popcorn popper with a clean damp cloth.
5. Select a flat, level and heat-resistant surface to place your popcorn popper and ensure the power cord is routed away from the popcorn popper's heating surfaces.

Using Your Popcorn Popper

CAUTION: Always ensure the chute and measuring cup/butter scoop are in place and your popcorn popper is loaded with corn kernels before plugging the unit into the outlet.

NOTE: Your popcorn popper will begin heating as soon as it is plugged in. DO NOT fill the popping engine beyond the fill line or run your machine continuously as this could cause your popcorn popper to overheat and engage the automatic shut-off function. Allow your popcorn popper to cool briefly between batches by unplugging it for a few minutes. If the popcorn popper goes into automatic shut-off mode, unplug the unit from the outlet and allow it to cool. To avoid overheating, the popcorn popper should not be used for more than 9 continuous times.

1. Remove the chute and multipurpose measuring cup/butter scoop from the popcorn popper. Pour a level measuring cup of popcorn kernels into the popping engine.
NOTE: DO NOT overpack the multipurpose cup. Doing so may cause overheating, burning of kernels or automatic shut-off. DO NOT use microwave popcorn in your popcorn popper.
2. Reinstall the chute by sliding it into the slot on the base and gently pushing down to set it into place. Return the multipurpose cup to its place on the top of the chute with the tab toward the back of the machine and add butter or seasoning if desired. We recommend slicing butter into thin slices for the best melting results. DO NOT overfill the cup with butter. Doing so will result in melted butter spilling over the edge of the cup and onto your popcorn popper.
NOTE: Never add liquid, butter, fat, seasonings or anything other than popcorn kernels to the popping engine.
3. Ready a heat-resistant bowl that is large enough to hold 18 cups of popcorn, beneath the chute. Check to make sure that the popcorn popper's chute and multipurpose cup are securely in place, then plug the popcorn popper into a 120V AC outlet.
NOTE: The cup must be in place to prevent stray kernels from flying out of the popping engine. Stray kernels may also exit through the chute, along with popcorn. For your safety,

DO NOT stand in front of the chute while the popcorn popper is heating up or popping.

4. The popcorn popper will require a few minutes to heat up. Within 2 to 3 minutes after it starts popping, the popcorn popper will finish popping. When popping has completed, use oven mitts to remove the multipurpose cup and chute and place them to the side. Unplug the popcorn popper. Using caution around the hot popping engine, grasp the base of the popcorn popper and empty the rest of the popped kernels that may remain in the machine, into the bowl.

CAUTION: The popcorn popper will be hot; we recommend using oven mitts to handle all components of the hot popcorn popper.

5. If you used the multipurpose cup to melt butter or seasonings, carefully pour the contents over your popcorn. Season to taste, then immediately reinstall the chute and multipurpose cup onto the popcorn popper's base.

CAUTION: Ensure the cup is thoroughly cleaned before reinstalling onto the chute. Butter that drips into the inside of the base must be wiped away with a damp cloth. A dry cloth may then be used to soak up any excess moisture. Failure to follow the above instructions may result in fire.

NOTE: Because your popcorn popper works efficiently and quickly, chilled butter will not have time to completely melt atop the popcorn popper in the multipurpose cup. Use room temperature butter for best results.

6. Repeat the steps above to pop another batch, making sure the popping engine is free of residual kernels before popping again.



WARNING: Always unplug the popcorn popper from the electrical outlet and allow the parts to cool completely before storing the unit or disassembling it for cleaning. Never immerse the unit in water or any other liquid.

CAUTION: DO NOT use abrasive cleaners of any kind on any part of your popcorn popper. Abrasive cleaners or cleaning tools can damage non-stick surfaces and plastic parts.

1. Clean the product after each use.
NOTE: The popcorn popper does not have any dishwasher-safe components.
2. Wash the chute and measuring cup/butter scoop in warm water with mild detergent and a soft cloth. Dry thoroughly.
3. Wipe the base and non-stick surfaces with a soft cloth moistened with warm water and mild detergent. Then rinse with a soft cloth dampened with warm water. Dry thoroughly. DO NOT immerse the popcorn popper's base or cord in water or any other liquid.
4. Always store your popcorn popper with the chute attached to the base.
NOTE: Always be sure to use a level measuring cup of popcorn kernels in your popcorn popper. Exceeding this amount can lead to burnt kernels.

Limited Warranty

MC Appliance Corporation warrants each new Hot Air Popcorn Popper to be free from defects in material and workmanship and agrees to remedy any such defect or to furnish a new part(s) (at the company's option) for any part(s) of the unit that has failed during the warranty period. Parts and labor expenses are covered on this unit for a period of two years after the date of purchase. A copy of the dated sales receipt/invoice is required to receive warranty service, replacement or refund.

This warranty covers appliances in use within the contiguous United States, Alaska, Hawaii and Puerto Rico. The warranty does not cover the following:

- Damages due to shipping damage or improper installation
- Damages due to misuse or abuse
- Content losses due to failure of the unit
- Repairs performed by unauthorized service agents
- Service calls that do not involve defects in material and workmanship such as instruction on proper use of the product or improper installation
- Replacement or resetting of house fuses or circuit breakers
- Failure of this product if used in ways other than its intended purpose
- Disposal costs for any failed unit(s) not returned to our factory
- Any delivery or installation costs incurred as the result of a unit that fails to perform as specified
- Expenses for travel and transportation for product service if your appliance is located in a remote area where service by an authorized service technician is not available
- The removal and reinstallation of your appliance if it is installed in an inaccessible location or is not installed in accordance with published installation instructions
- Refunds for non-repairable products are limited to the price paid for the unit per the sales receipt
- This warranty is non-transferable. This warranty applies only to the original purchaser and does not extend to any subsequent owner(s).

Limitations of Remedies and Exclusions

Product repair in accordance with the terms herein, is your sole and exclusive remedy under this limited warranty. Any and all implied warranties including merchantability and fitness for a particular purpose are hereby limited to one year or the shortest period allowed by law. MC Appliance Corporation is not liable for incidental or consequential damages and no representative or person is authorized to assume for us any other liability in connection with the sale of this product. Under no circumstances is the consumer permitted to return this unit to the factory without the prior written consent of MC Appliance Corporation.

Some states prohibit the exclusion or limitation of incidental or consequential damages, or limitations on implied warranties. This warranty gives you specific legal rights, and you may also have other rights which vary from state to state.

Model
KLPM14W

Parts & Labor
Two Years

Type of Service
Carry-In

12

KITCHEN *Living*

hot air popcorn popper

Your details:

Name _____

Address _____

 _____ E mail _____

Date of purchase* _____

* We recommend you keep the receipt with this warranty card

Location of purchase _____

Description of malfunction:

Return your completed warranty card to:

MC Appliance
777 Mark Street
Wood Dale, IL
60191
cshelp@mcappliance.com

AFTER SALES SUPPORT

 USA 888 775 0202  cshelp@mcappliance.com

MODEL: KLPM14W, ITEM # 44991-14

Phone lines available Mon to Fri, 7:30am - 7:00pm CST

2

YEAR WARRANTY

Index

- 02 Contents
- 03 Introduction
- 04 General Safety Instructions
 - 04 Electric Power
 - 04 Polarized Plug
- 05 Important Safety Instructions
- 07 Specifications
- 08 Parts and Features
 - 08 Unit & Accessories
- 09 Operation
 - 09 Using Your Popcorn Popper
- 11 Care and Cleaning
- 12 Warranty
 - 12 Limited Warranty
 - 12 Limitations of Remedies and Exclusions
- 13 Warranty Card

