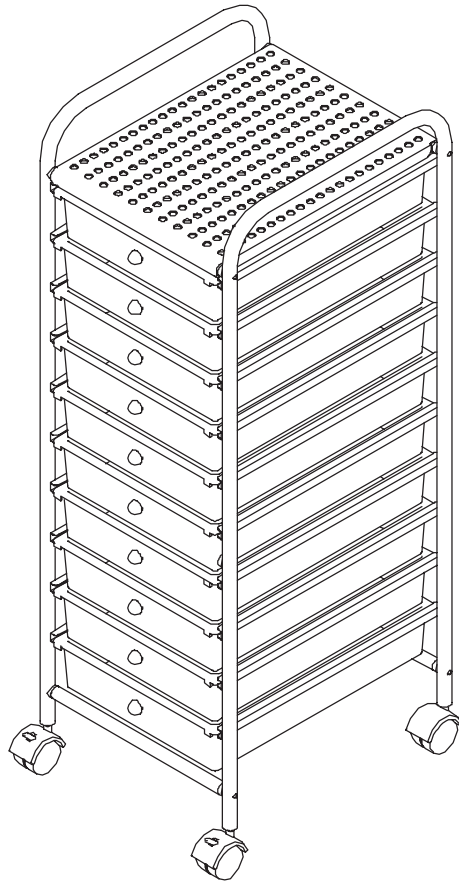


EASY
HOME®



ASSEMBLY INSTRUCTIONS

10 DRAWER ROLLING STORAGE CART



12.8 in L x 15.35 in W x 38 in H
(32.51 cm L x 38.99 cm W x 96.52 cm H)

AFTER SALES SUPPORT

☎ 877-242-2636
Monday-Friday, from 9am to 5pm EST

MODEL 44697

2

YEAR WARRANTY

STORAGE

IMPORTANT! Please read prior to use.


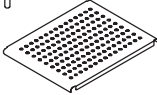
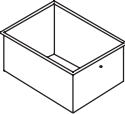








This cart is designed for indoor use. Please do not over-load. To prevent tipping, we recommend that you evenly distribute the weight throughout the unit. Please do not use cart for anything other than its intended use. Please keep away from heat sources such as heaters and fireplaces.

2 YEAR LIMITED WARRANTY

The manufacturer warrants this product will be free from defects in materials and workmanship when used for normal personal or household use, except as provided below. The manufacturer, at its option, may offer a comparable product or offer a replacement part or request that the item be returned to the place of purchase. This warranty DOES NOT apply to damage caused by negligence, misuse, excessive use, improper cleaning, improper assembly, or any circumstances not directly attributable to manufacturing defects. Proof of purchase is required in the form of a receipt (copy or original) to validate warranty. This limited lifetime warranty is offered in lieu of all other warranties, either express or implied. In no event shall the manufacturer, its affiliates, or subsidiaries be responsible for consequential or incidental damages arising out of a claim of defective product. Some states or provinces do not allow some exclusions or limitations, so the above statement may not apply to you. This warranty gives you specific legal rights. Additional rights vary by state or province.

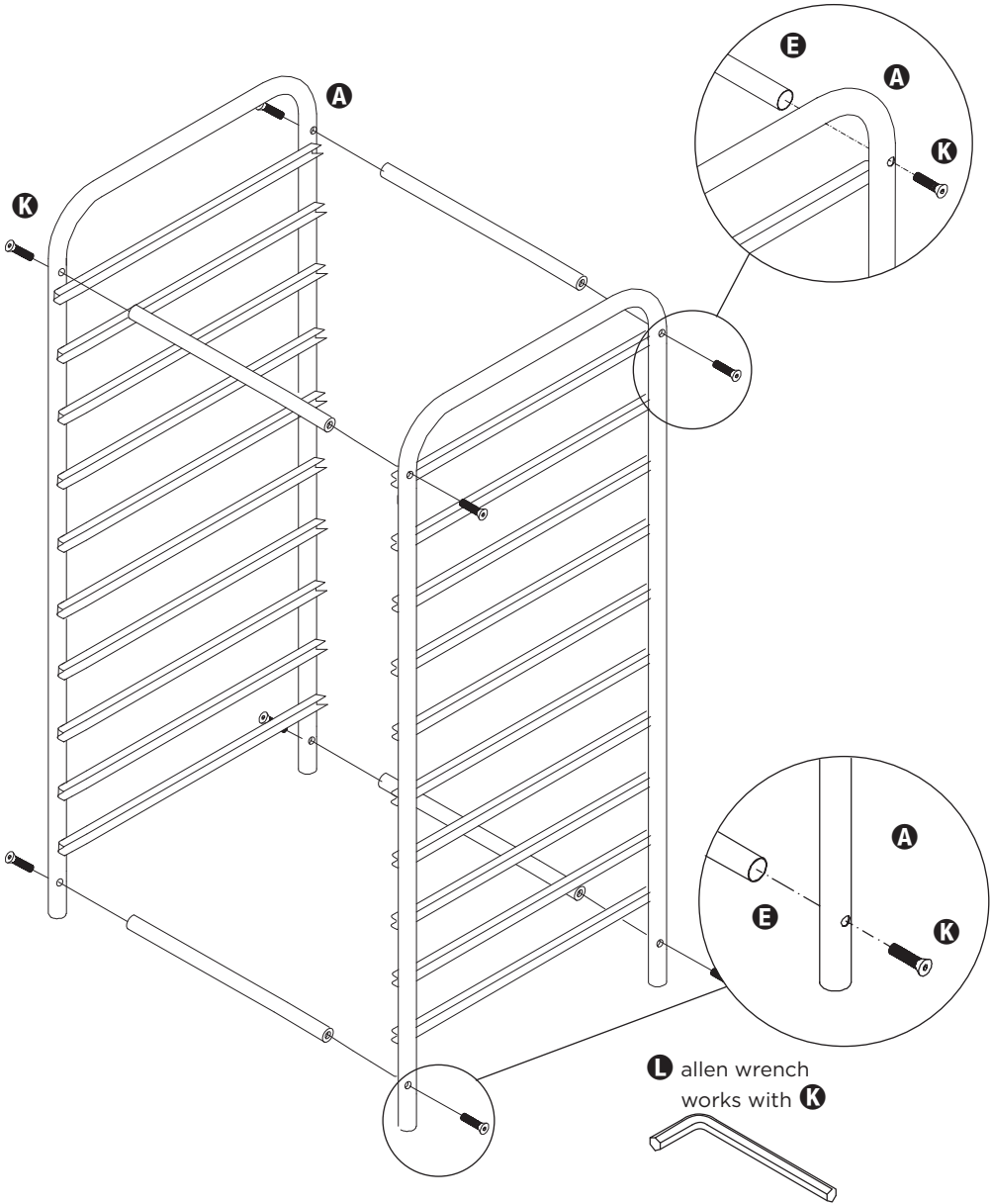
WARNING:

Keep bags and plastic sheeting away from babies and children. Do not use in cribs, beds, carriages or playpens. The plastic may cling to the nose and mouth and prevent breathing.

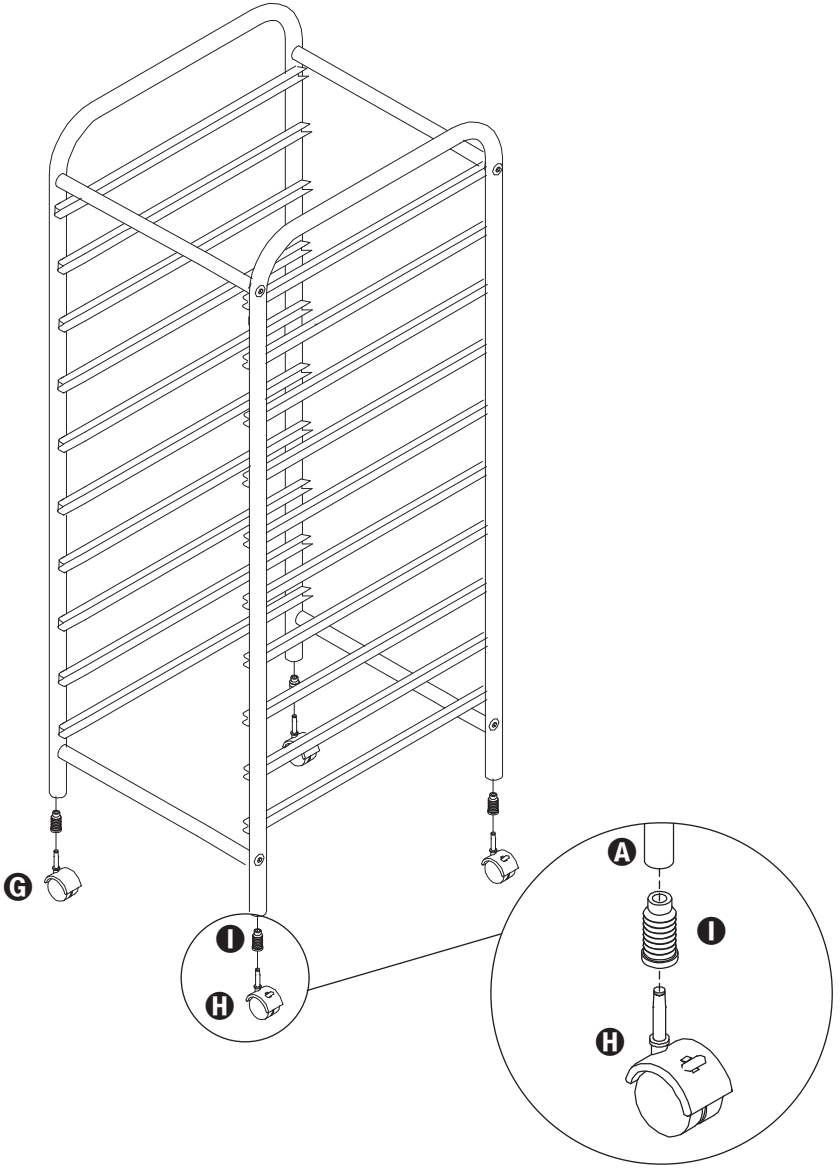
-
- A**  (2) side supports
 - B**  (1) work surface
 - C**  (10) drawers
 - E**  (4) cross bars
 - F**  (10) drawer pulls
 - G**  (2) casters
 - H**  (2) locking casters
 - I**  (4) caster sleeves
 - J**  (10) drawer pull screws
 - K**  (8) cross bar screws
 - L**  (1) allen wrench

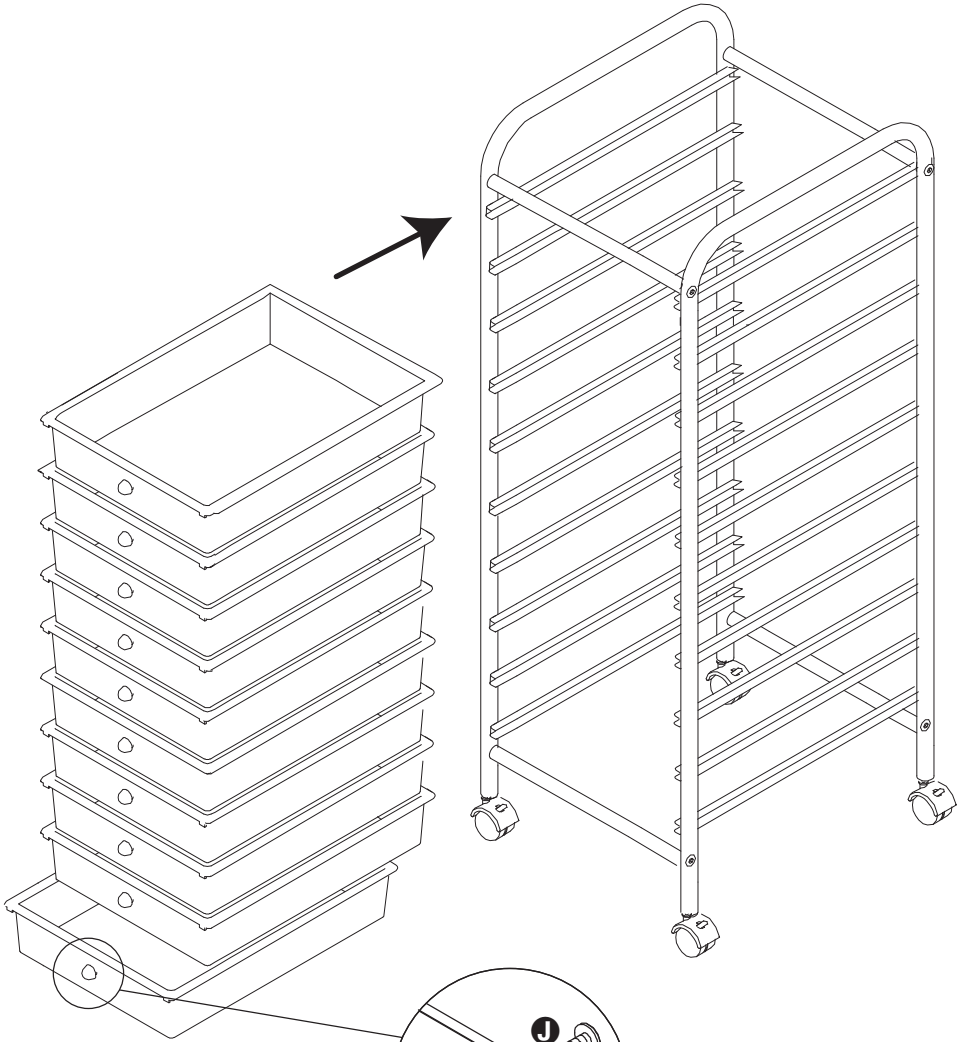
Assembly

3

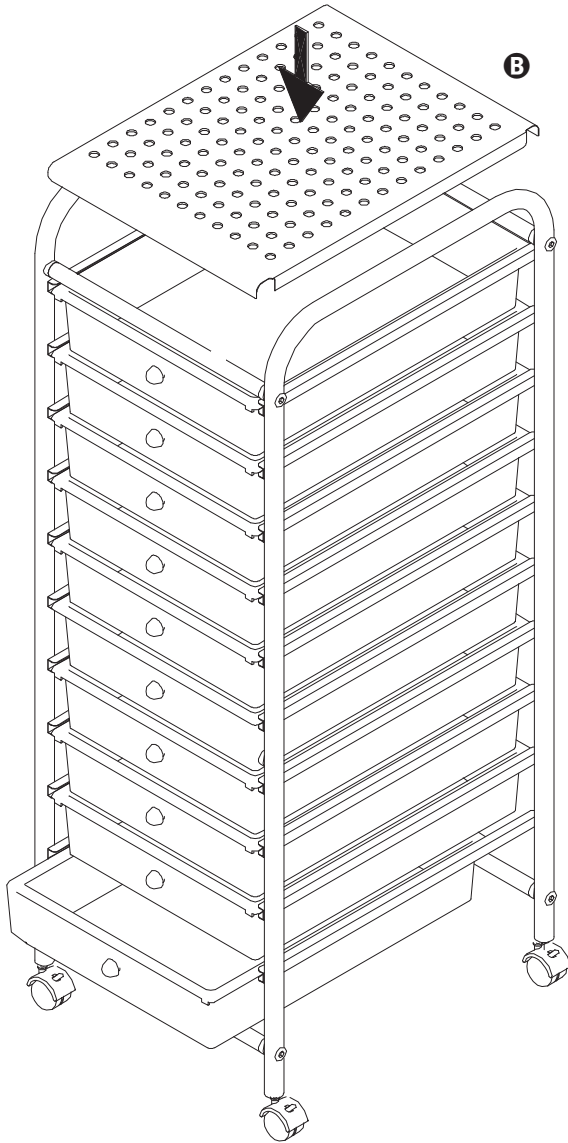


4





6



7

