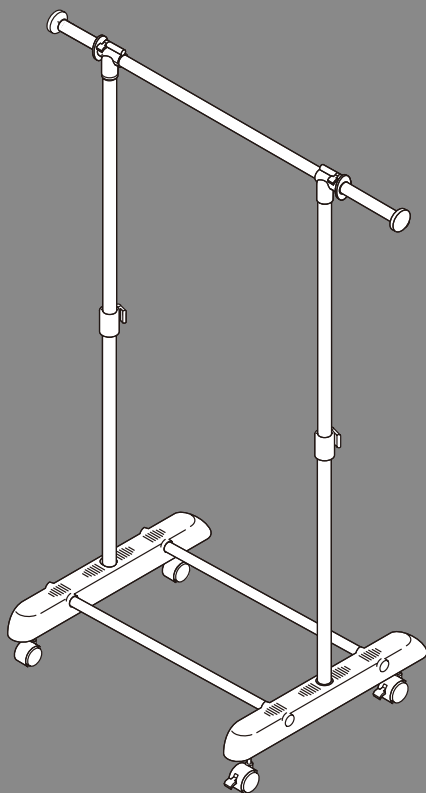


EASY
HOME[®]



ASSEMBLY INSTRUCTIONS

EXPANDABLE GARMENT RACK



52.75 in L x 16.73 in W x 65.74 in H
(134 cm L x 42.5 cm W x 167 cm H)

STORAGE

AFTER SALES SUPPORT



877-242-2636

Monday-Friday from 9am to 5pm EST

MODEL: 43073

2

YEAR WARRANTY

Congratulations!

You have made an excellent choice with the purchase of this quality EASY HOME product.

By doing so you now have the assurance and peace of mind which comes from purchasing a product that has been manufactured to the highest standards of performance and safety, supported by the high quality standards of ALDI.

We want you to be completely satisfied with your purchase so this EASY HOME product is backed by a comprehensive manufacturer's 2 year warranty and an outstanding after sales service through our dedicated after sales support.

We hope you will enjoy using your purchase for many years to come.


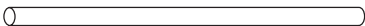


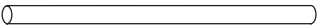
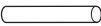




If you require technical support or in the unlikely event that your purchase is faulty please telephone our Helpline for immediate assistance. Faulty product claims made within the 2 year warranty period will be repaired or replaced free of charge provided that you have satisfactory proof of purchase (keep your receipt safe!).

IMPORTANT! Please read prior to use.

This expandable garment rack is designed for indoor use. Please do not over-load. To prevent tipping, we recommend that you evenly distribute the weight throughout the unit. Please keep top hanger bar horizontal when in use. Please do not use storage closet for anything other than its intended use.

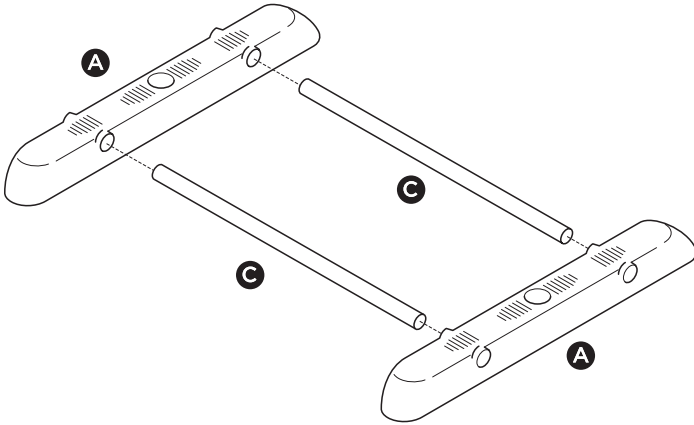
Parts List

2

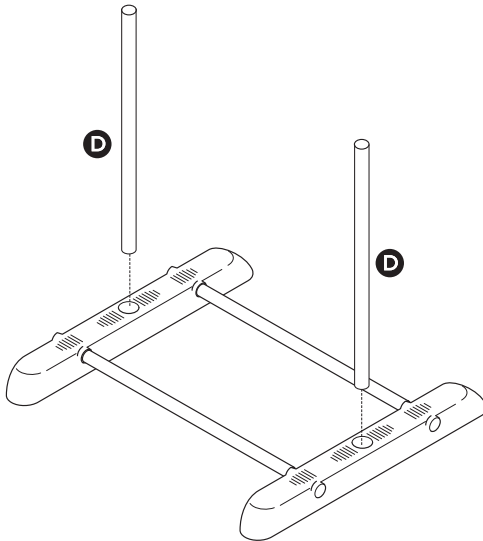
-
- A**  (2) base pieces
 - B**  (1) hanger bar
 - C**  (2) base bars
 - D**  (2) bottom uprights
 - E**  (2) top uprights
Find these nested inside
bottom uprights, part D
 - F**  (2) top extenders
Find these nested inside
bottom uprights, part D
 - G**  (2) T-Connectors
 - H**  (4) Casters
2 of each design
 - I**  (2) Upright Connectors
 - J**  (2) End Caps

STEP 1

Please follow these step by step instructions carefully. Plan to spend about 35 minutes assembling your new closet.

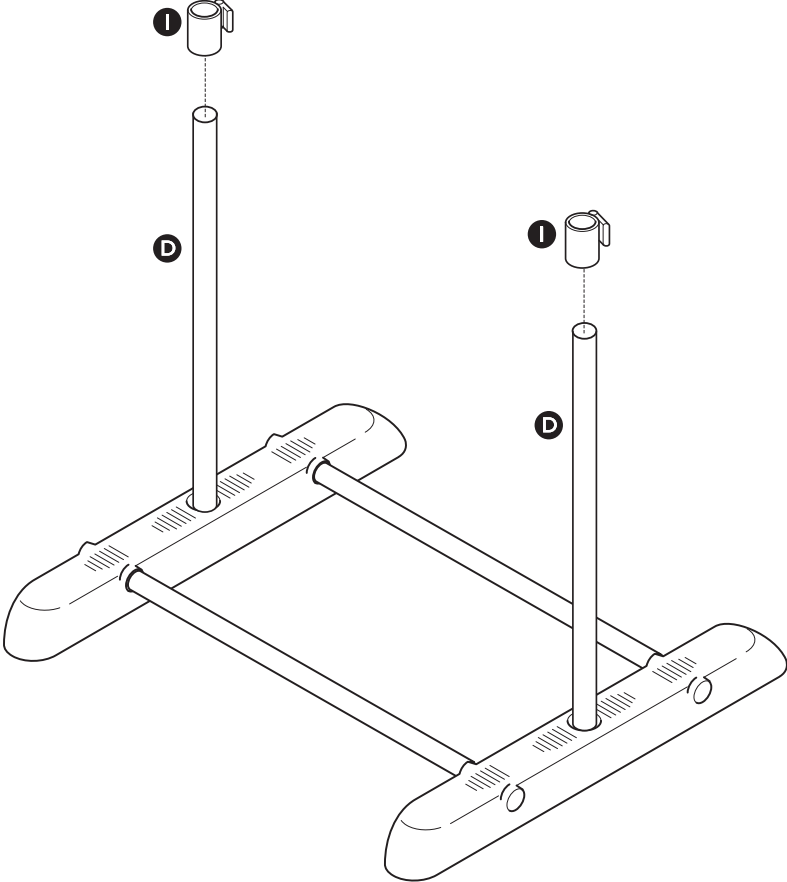


STEP 2



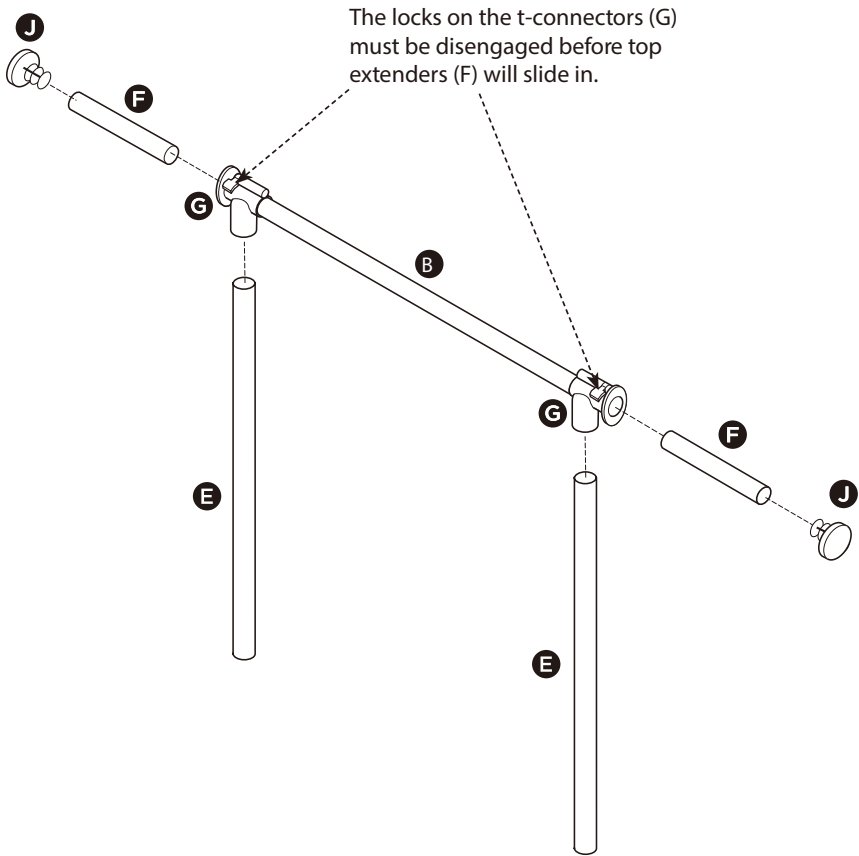
Assembly

STEP 3



Assembly

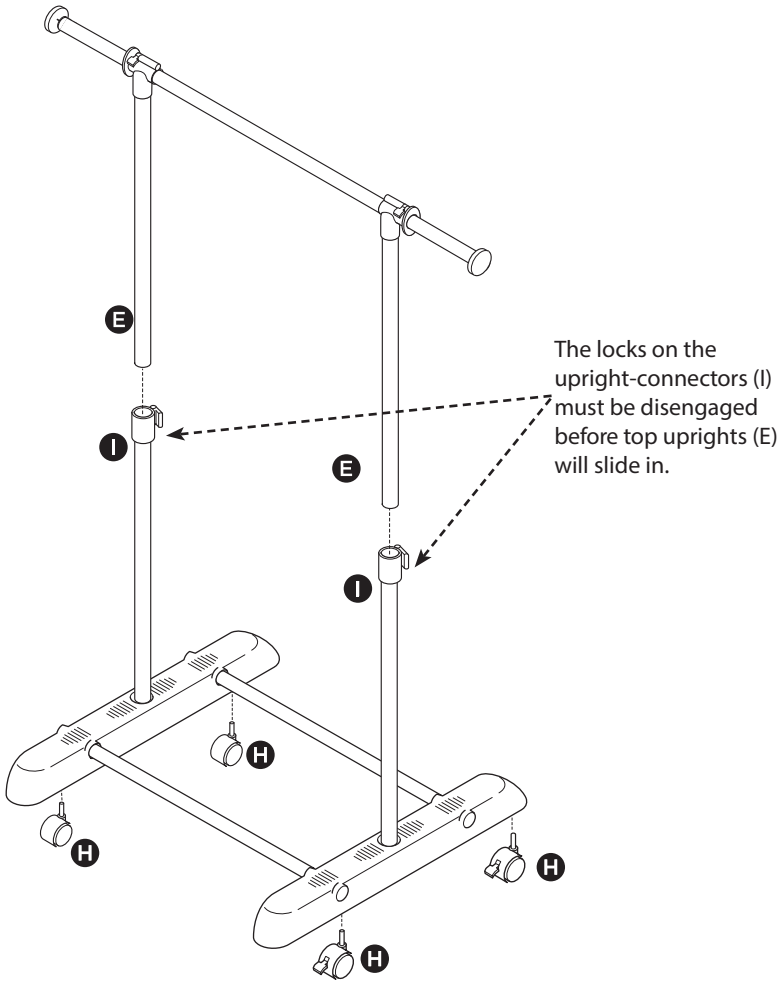
STEP 4



1. End caps (J) are designed to fit very tightly into top extenders (F). Apply firm even pressure taking care not to bend or damage top extenders (F) by tapping or hitting.

Assembly

STEP 5



1. Tip: It may be helpful to lay the garment rack on its side when inserting the casters into the base pieces.

2 YEAR LIMITED WARRANTY

The manufacturer warrants this product will be free from defects in materials and workmanship when used for normal personal or household use, except as provided below. The manufacturer, at its option, may offer a comparable product or offer a replacement part or request that the item be returned to the place of purchase. This warranty DOES NOT apply to damage caused by negligence, misuse, excessive use, improper cleaning, improper assembly, or any circumstances not directly attributable to manufacturing defects. Proof of purchase is required in the form of a receipt (copy or original) to validate warranty. This limited lifetime warranty is offered in lieu of all other warranties, either express or implied. In no event shall the manufacturer, its affiliates, or subsidiaries be responsible for consequential or incidental damages arising out of a claim of defective product. Some states or provinces do not allow some exclusions or limitations, so the above statement may not apply to you. This warranty gives you specific legal rights. Additional rights vary by state or province.

WARNING: Keep bags and plastic sheeting away from babies and children. Do not use in cribs, beds, carriages or playpens. The plastic may cling to the nose and mouth and prevent breathing.