

EASY[®]
HOME



ASSEMBLY INSTRUCTIONS

ROLLING SHOE TOWER



36.5 in L X 14.6 in W X 48.5 in H
(92.7 cm L X 37.2 cm W X 123.2 cm H)

STORAGE

AFTER SALES SUPPORT

☎ 855-439-4663

MODEL: 44773

Congratulations!

You have made an excellent choice with the purchase of this quality EASY HOME product.

By doing so you now have the assurance and peace of mind which comes from purchasing a product that has been manufactured to the highest standards of performance and safety, supported by the high quality standards of ALDI.

We want you to be completely satisfied with your purchase so this EASY HOME product is backed by a comprehensive manufacturer's 2 year warranty and an outstanding after sales service through our dedicated after sales support.

We hope you will enjoy using your purchase for many years to come.

If you require technical support or in the unlikely event that your purchase is faulty please telephone our Helping for immediate assistance. Faulty product claims made within the 2 year warranty period will be repaired or replaced free of charge provided that you have satisfactory proof of purchase (keep your receipt safe!)

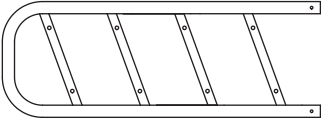
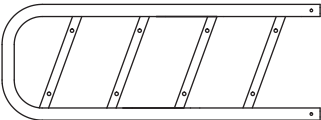
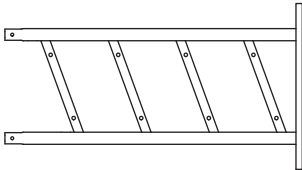
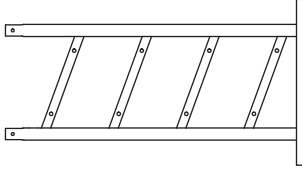
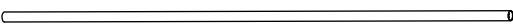




IMPORTANT! Please read prior to use.

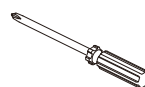
This rolling shoe tower is designed for indoor use. Please do not over-load. To prevent tipping, we recommend that you evenly distribute the weight throughout the unit. Please keep top shoe tower horizontal when in use. Please do not use storage closet for anything other than its intended use.



Parts List

2

-
-  **A1** (1) Top left frame
 -  **A2** (1) Top right frame
 -  **B1** (1) Bottom left frame
 -  **B2** (1) Bottom right frame
 -  **C** (16) Horizontal bar
 -  **D** (32) Screw
 -  **E** (2) Wheel
 -  **F** (2) Wheel with locker
 -  **G** (1) Wrench



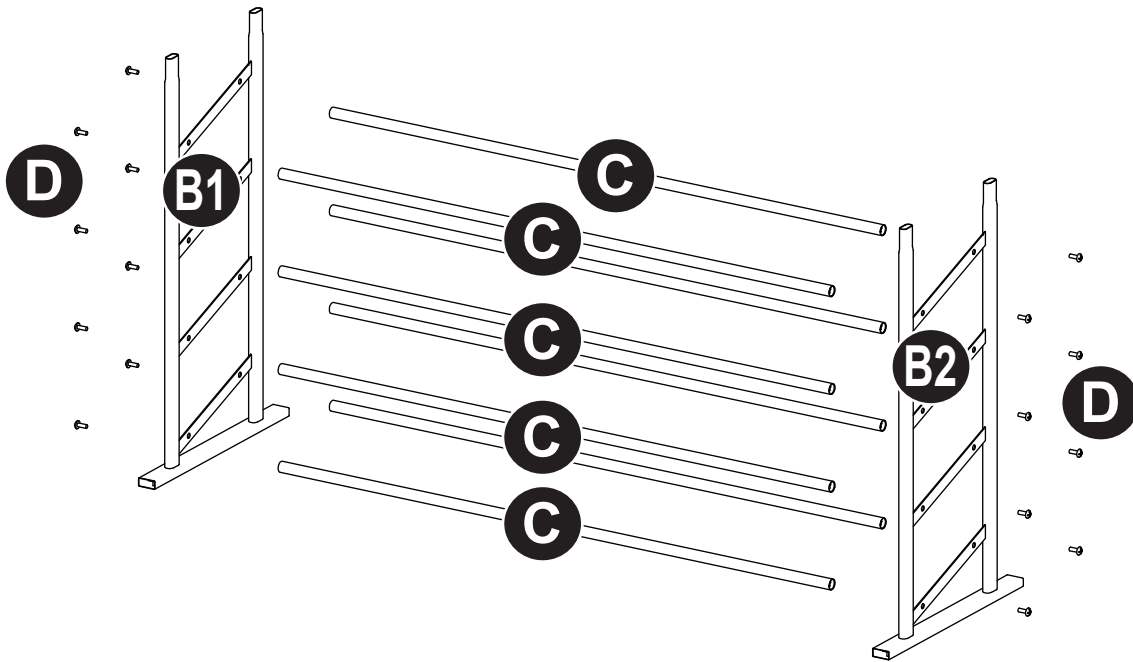
Tools not included.

3



STEP 1

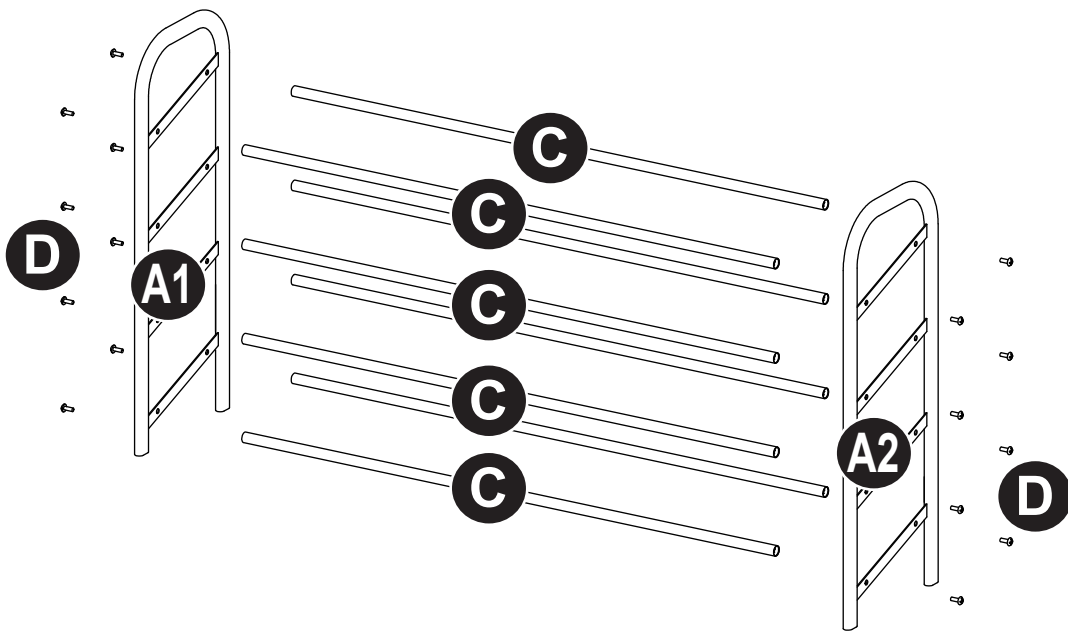
Assemble the bottom section by attaching horizontal bars (C) to bottom frames (B1 & B2) using screws (D). Leave screws loose at this point, they will be tightened later.



Assembly

STEP 2

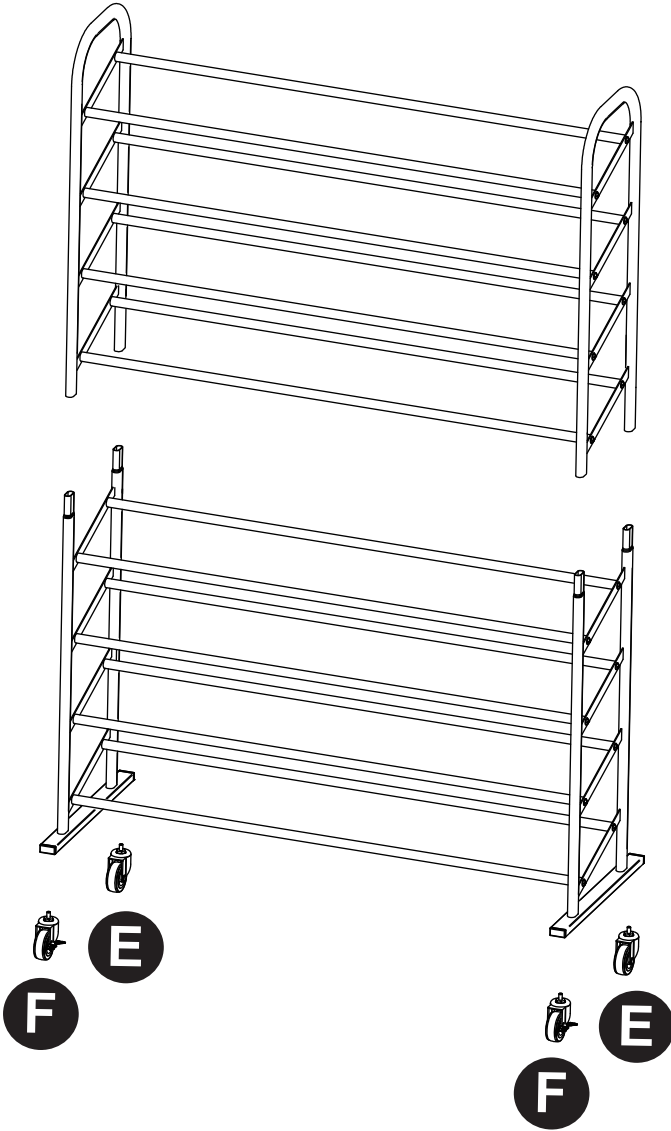
Assemble the top section by attaching the remaining horizontal bars (C) to the top frames (A1 & A2) using remaining screws (D). Leave screws loose at this point, they will be tightened later.



Assembly

STEP 3

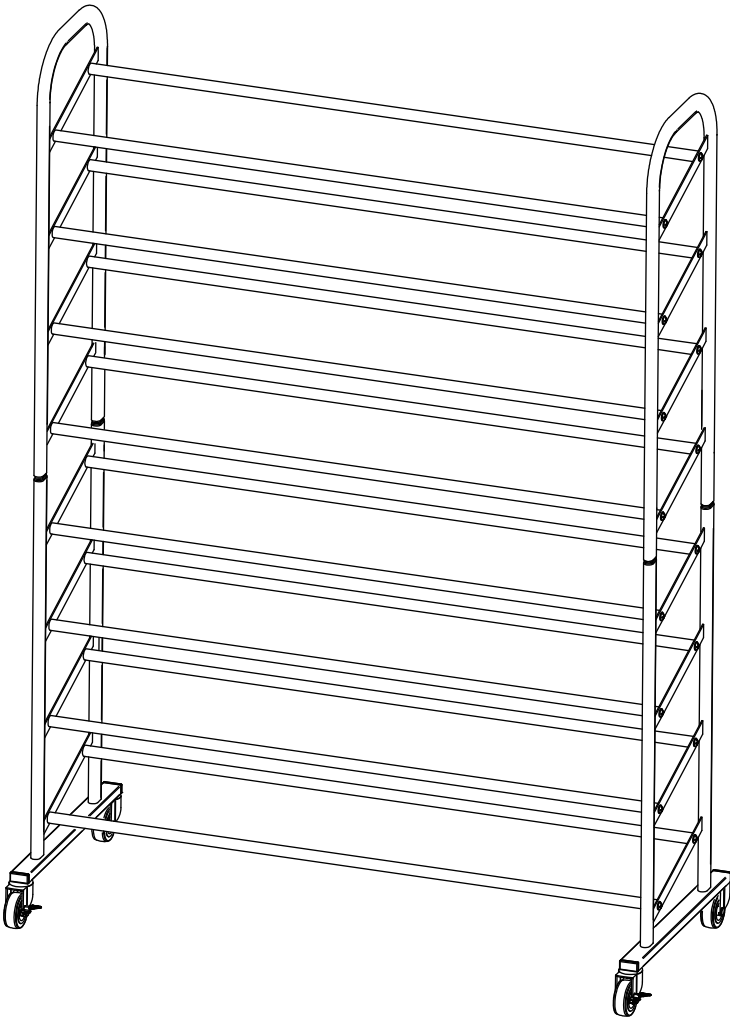
Place assembled top section on top of assembled bottom section and press down until the two sections are firmly attached. Now tighten all screws with screwdriver (not provided). Attach wheels (E&F) and tighten with provided wrench (G).



Assembly

STEP 4

Finish.



2 YEAR LIMITED WARRANTY

The manufacturer warrants this product will be free from defects in materials and workmanship when used for normal personal or household use, except as provided below. The manufacturer, at its option, may offer a comparable product or offer a replacement part or request that the item be returned to the place of purchase. This warranty DOES NOT apply to damage caused by negligence, misuse, excessive use, improper cleaning, improper assembly, or any circumstances not directly attributable to manufacturing defects. Proof of purchase is required in the form of a receipt (copy or original) to validate warranty. This limited lifetime warranty is offered in lieu of all other warranties, either express or implied. In no event shall the manufacturer, its affiliates, or subsidiaries be responsible for consequential or incidental damages arising out of a claim of defective product. Some states or provinces do not allow some exclusions or limitations, so the above statement may not apply to you. This warranty gives you specific legal rights. Additional rights vary by state or province.

WARNING: Keep bags and plastic sheeting away from babies and children. Do not use in cribs, beds, carriages or playpens. The plastic may cling to the nose and mouth and prevent breathing.