



Camping Cot

User Manual



AFTER SALES SUPPORT

  1 800 364 1667  service-us@royalbeach.de

MODEL: 48468 PRODUCT CODE: 91445 05/2014

Contents

- 02 Introduction
- 02 Safety Instructions and General Instructions
- 02 Cleaning & Maintenance
- 03 Parts in the Box
- 03 Assembly
- 04 Warranty and Warranty Card

Dear Customer

Congratulations on choosing to buy an Adventuridge™ product. By doing so you now have the assurance and peace of mind that comes with purchasing a product made by leading sporting goods manufacturers. All products brought to you by Adventuridge™ are manufactured to the high standard of performance and reliability, and, as part of our philosophy of customer service and satisfaction, are backed by our limited 2 Year Warranty.

SAFETY INSTRUCTIONS



DANGER: Keep away from fire or flame. Never use with or near or in a tent with a burning or open flame appliances such as propane or liquid fueled heaters, lanterns or stoves. Never use a burning or open flamed appliance on or near the camping cot. This product could catch fire causing serious burn injuries or death. Keep at least 5 feet from campfires.

THIS PRODUCT IS NOT FOR USE BY CHILDREN UNDER 14 YEARS OF AGE!

Safety Instructions,



In order to prevent accidents AND PREVENT SERIOUS INJURIES please observe the notes below:

- Warning - it is recommended that the camping cot only be assembled by an adult. WATCH FOR PINCH POINTS WHEN ASSEMBLING! KEEP AWAY FROM CHILDREN UNDER 14 as they may fall from the bed, get pinched in its joints or topple the cot resulting in injuries
- Prior to using your camping cot ensure you have carefully read the instructions for use. This will ensure that use of your camping cot is safe and reliable.
- Store the instructions in a safe place.
- In order for your camping cot to stand safely, make sure that the ground is firm and level. Failure to do so can result in falls and injuries.
- Please do not expose your camping cot to rain or frost. This could cause corrosion or other damage to the product.
- Regularly check the camping cot for damage and wear.
- Before each use, check your camping cot for tears in the fabric and for defective parts. In case of a defect, contact the customer service hotline immediately. The cot must not be used until the defect has been repaired.
- Ensure there is sufficient space around the camping cot at all times to avoid accidents or falls.
- Do not place compact, heavy objects on your camping cot - it is designed to hold people whose weight is evenly distributed.
- Use these instructions to order spare parts through our Helpline
- The mat and frame are designed for a maximum weight of 220 lbs. Do not exceed this weight as this could cause bending and breaks resulting in falls and personal injuries
- The camping bed is not a toy. THIS PRODUCT IS NOT FOR USE BY CHILDREN UNDER AGE 14!

Getting Started

We strive to make the best product possible but sometimes our products need repair or replacement.

Camping Cots presented for repair may be replaced by refurbished goods of the same type rather than being repaired. Refurbished parts may be used to repair the goods.

If at any time you feel your rights are not being addressed or your repair is being handled unsatisfactorily, you may pursue your complaint further. Please contact our helpline with any questions or concerns.

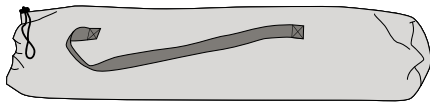
Cleaning & Maintenance

Only use a damp cloth to clean. Do not use aggressive cleaning agents.

In general, the device does not require special maintenance; however, all parts of the device should be inspected for the tight fit of screws and connections at regular intervals.

Please contact our service hotline for replacement of defective parts. The device must not be used until repaired.

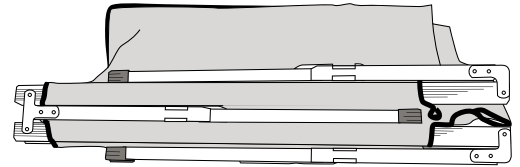
Parts in the box



Carry bag x 1 pc



End frame x 2 pcs



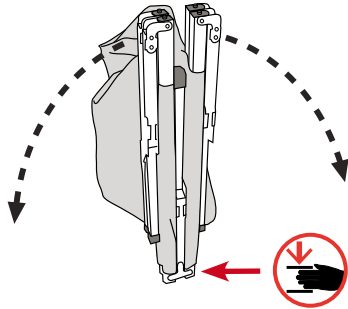
Main frame with mat x 1 pc

Assembly



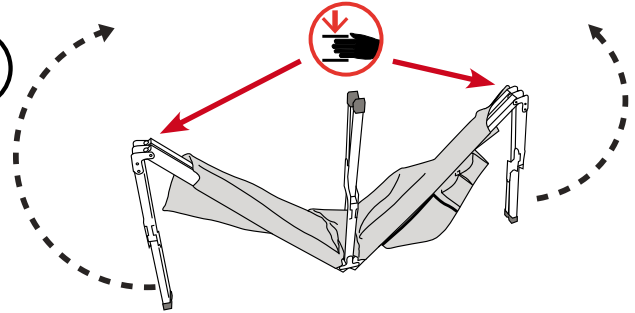
PINCH POINTS: danger of finger injuries!

1



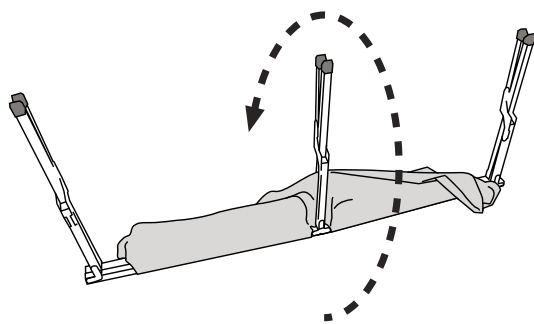
Unfold the main frame with mat from carry bag, and extend both legs as shown.

2



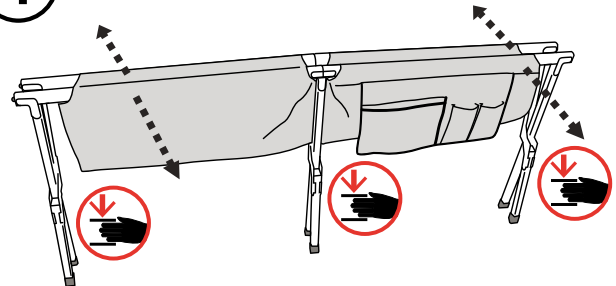
Flip the leg over the top.

3



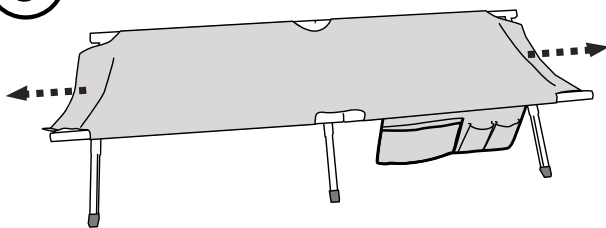
Turn the whole frame upside down.

4



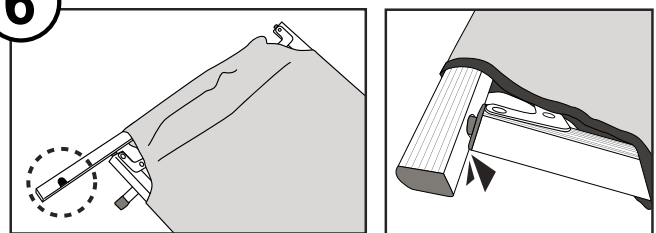
Stretch both sides apart in order to open the mat.

5

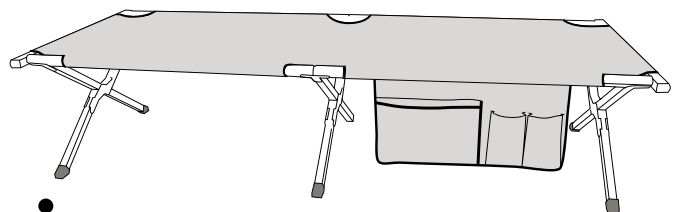
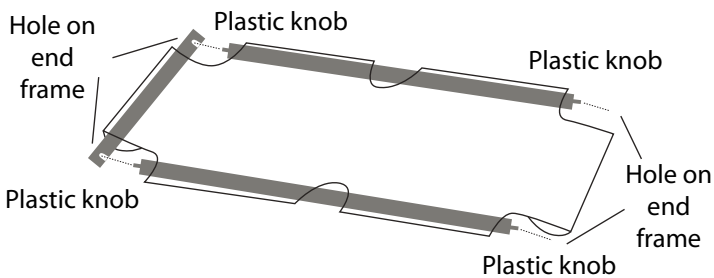


Pull both ends of the mat.

6



Put the end frame through the tunnel of the mat on both sides (head and foot area). Plug the holes of the end frame onto the knobs of the main frame.



max. user weight: 220 lbs (100 kg)



WARRANTY CARD



CAMPING COT

Your details:

Name _____

Address _____



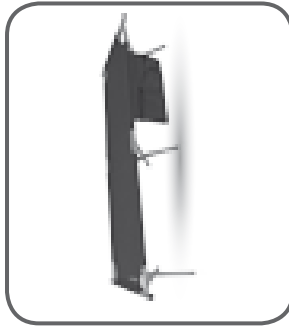
_____ E mail _____

Date of purchase* _____

*We recommend you keep the receipt with this warranty card

Location of Purchase _____

Description of malfunction:



Purple Cows Inc.

Helpline No. 1 800 364 1667

E mail Support:
service-us@royalbeach.de

AFTER SALES SUPPORT

1 800 364 1667 service-us@royalbeach.de

MODEL: 48468 PRODUCT CODE: 91445 05/2014

2

YEAR WARRANTY

Limited Warranty,

This product is warranted to be free from defects in workmanship and materials under normal use and conditions for a period of 2 YEAR FROM THE DATE OF ORIGINAL PURCHASE. This Limited Warranty is not transferable and is available only to the original purchaser of the Product. The obligation under this warranty is limited to replacing or repairing the product, at the discretion of Royalbeach. All warranty coverage extends only to the original retail purchaser from the date of purchase. Royalbeach's obligation under this warranty is limited to replacing or repairing, at this option, the product at one of its authorized service centers. All products for which a warranty claim is made must be received by Royalbeach at one of its authorized service centers and accompanied by sufficient proof of purchase (photocopy of the original store receipt, indication the date of purchase). All freight and handling fees are the responsibility of the consumer to pay, both to and from Royalbeach. All warranty claims must be preauthorized by Royalbeach. Preauthorization can be obtained by calling 1 800 364 1667. This warranty does not extend to any product or damage to a product caused by or attributable to freight damage, abuse, misuse, improper or abnormal usage, or repairs not provided by a manufacturer authorized service center or for products used for commercial or rental purposes. This warranty does not cover ordinary wear and tear, weathering, failure to follow directions, improper installation, improper maintenance, or acts of Nature (such as damage caused by wind, lightning, snow, water, or ice). Weather damage, damage caused by unauthorized repair work or damage caused by improper use of the products are not covered by the product warranty. No other Warranty beyond that specifically set forth above is authorized by Royalbeach. ROYALBEACH IS NOT RESPONSIBLE OR LIABLE FOR INDIRECT, SPECIAL OR CONSEQUENTIAL DAMAGES ARISING OUT OF OR IN CONNECTION WITH THE USE OR PERFORMANCE OF THE PRODUCT OR OTHER DAMAGES WITH RESPECT TO ANY ECONOMIC LOSS, LOSS OF PROPERTY, LOSS OF REVENUE OR PROFITS, LOSS OF ENJOYMENT OR USE, COST OF REMOVAL, INSTALLATION OR OTHER CONSEQUENTIAL DAMAGES. SOME STATES DO NOT ALLOW THE EXCLUSION OR LIMITATION OF INCIDENTAL OR CONSEQUENTIAL DAMAGES. ACCORDINGLY, THE ABOVE LIMITATION MAY NOT APPLY TO YOU. THE WARRANTY EXTENDED HEREUNDER IS IN LIEU OF ALL OTHER WARRANTIES AND ROYALBEACH SPECIFICALLY DISCLAIMS ANY IMPLIED WARRANTY OR MERCHANTABILITY OR FITNESS FOR A PARTICULAR PURPOSE IS LIMITED IN ITS SCOPE AND DURATION TO THE TERMS SET FORTH HEREIN. SOME STATES DO NOT ALLOW LIMITATION ON HOW LONG AN IMPLIED WARRANTY LASTS. ACCORDINGLY, THE ABOVE LIMITATION MAY NOT APPLY TO YOU.

