



SPORTS

User Guide

All Weather Bean Bag Toss

Now you have purchased an CRANE® product you can rest assured in the knowledge that as well as your Manufacturer's warranty you have the added peace of mind of dedicated helplines and web support



AFTER SALES SUPPORT



USA

1-877-472-4296



gsskatina@gmail.com

MODEL: 05/14, 45144

Contents

- 02 Introduction
- 03 General Information and Safety Instructions
- 03 Assembly and Parts List
- 06 Playing Instructions
- 07 FAQ
- 07 Other Useful Information
- 08 Warranty Card



i. Introduction

Congratulations!

You have made an excellent choice with the purchase of this quality Crane® product.

By doing so you now have the assurance and peace of mind which comes from purchasing a product that has been manufactured to the highest standards of performance and safety, supported by the high quality standards of ALDI.

This product is covered by a limited warranty that is effective for 2 years from the date of purchase. If, during the limited warranty period, a part is found to be defective or breaks, we will offer replacement part at no cost to you, the customer.

The above warranty will not apply in cases of damages due to improper usage, alteration, misuse, abuse, accidental damage or neglect.

This limited warranty gives you specific legal rights and you may also have other rights which vary from one State (province) to another.

Please save these instructions. A purchase receipt (or other proof of purchase date) will be required before any warranty service is initiated. All requests for warranty service, please feel free to contact our Consumer Service Department at 1-877-472-4296.

Please be aware of your product's limited warranty for the return/refund policy from the store, We can not handle the product which is out of product's limited warranty since we only provide available parts.



ii. General Information and Safety Instructions



WARNING:

Adult supervision is required at all times when children are in the area. Being struck by a thrown object can cause serious injury.



WARNING:

This is not a child's toy. Adult supervision is required for children playing this game. Please read instructions carefully. Proper use of this can avoid damage or injury.

iii. Assembly and Parts List



FIG.1

1. Push the clasp toward the OPEN direction to unlock the 2 board halves.

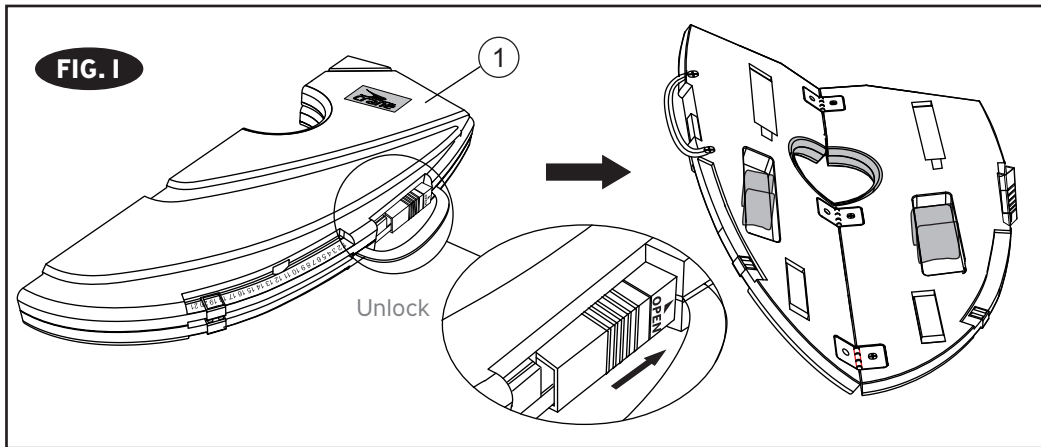


FIG.2

2. Flip board over.

Remove the 4 legs from the board set. (See FIG. 2A.)

Push the back legs into the slot until the snap is tight. (See FIG. 2B.)

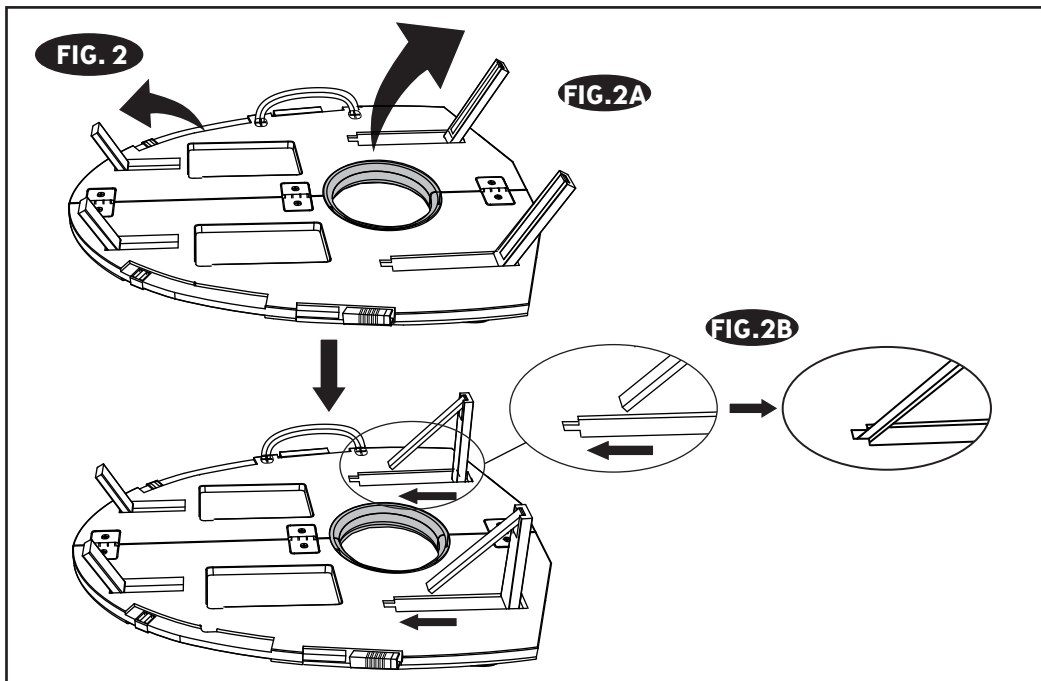


FIG.3

3. Rotate the red scoring ring 90 degrees to fix the board.

Tips: Make sure the 2 board halves are flat before rotating the scoring ring.

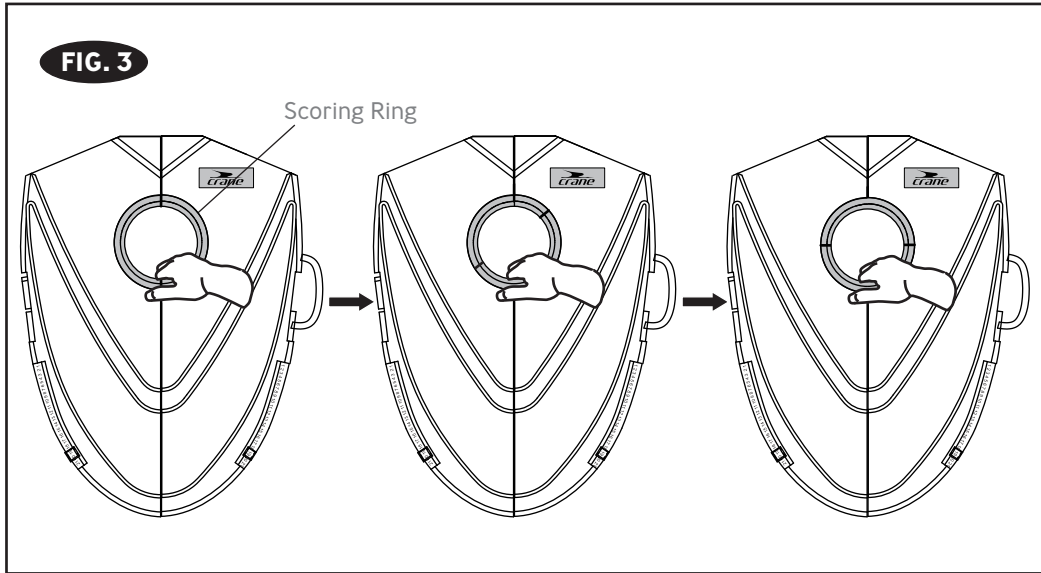
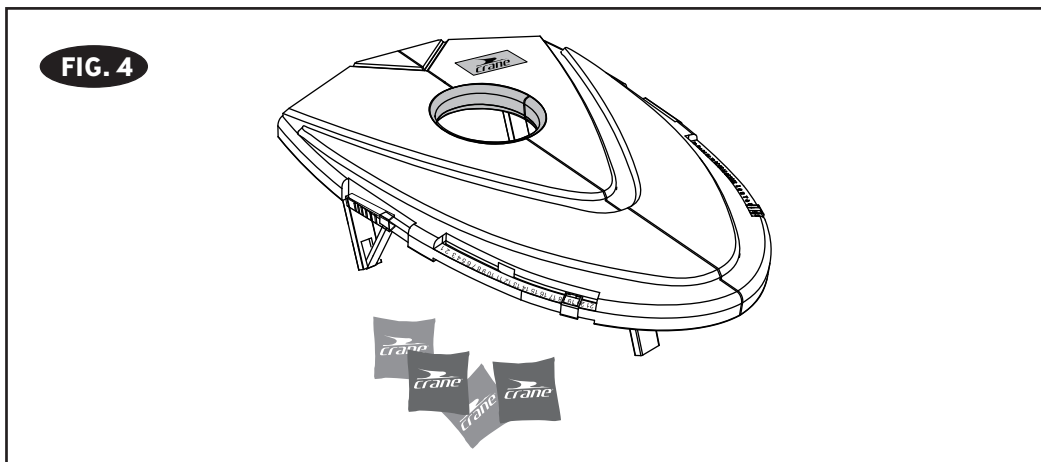


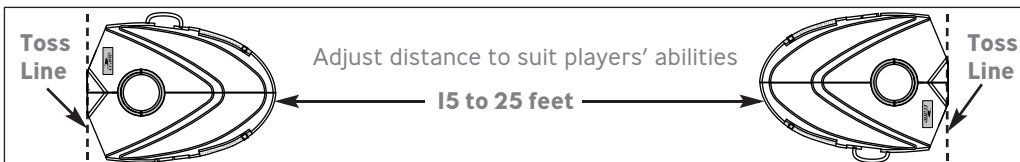
FIG.4

4. Face up the board on the ground.

You are ready to play!



iv. PLAYING INSTRUCTIONS



THE GAME

The game can be played 2 ways, singles or doubles. In singles play, the first player tosses 1 Bean Bag. Then the second player tosses 1 Bean Bag. Continue this way until each player has tossed all 4 Bean Bags. After points are counted, the players switch turns and toss again for the next round.

In doubles play, using one Target at each end of the court, two opposing players toss from the same side of the court. One member of team number one tosses 1 Bean Bag and one member of team number two tosses 1 Bean Bag from the same side of the court. Continue until each player has tossed all 4 Bean Bags.

After points are counted, the teams at the opposite side of the court toss the Bean Bags with the team number two tossing first. The points are counted again and the game continues to the next round with the teams alternating turns.

GENERAL RULES

Each player must stay 15 to 25 feet away from the Target when throwing a Bean Bag. This distance should be determined before the start of the game based on the players' ages and abilities. Players must not try to distract, splash or interfere with the player tossing a Bean Bag.

SCORING POINTS

A Bean Bag that lands completely in Target Hole earns 3 points. A Bean Bag landing anywhere on the Target Platform earns 1 points. If a Bean Bag is knocked into the Target Hole by another Bean Bag it earns 3 point. If a Bean Bag is knocked off the Target Platform by another Bean Bag it losses its point.

If a player's Bean Bag lands in the Target Hole and an opponent's Bean Bag lands in the Target Hole, neither Bean Bag earns points. If 2 or more Bean Bags, tossed by the same player or team, land in the Target Hole, each Bean Bag tossed into the Target Hole by the opposing player or team cancels one of the first player's or team's toss. Points are only counted for the remaining Bean Bags not matched by an opponent's Bean Bag. All Bean Bags remaining on the Target Platform earn points.

NOTE: Only one team can earn points in any one round. If the first team scores 6 points and the second team scores 10 points, the second team receives a total of 4 points and the first team scores zero points for that round. Subtract the lower score from the higher score to calculate the actual score for any one round.

WINNING THE GAME

If the first player or team reaches 21 points in a round and is less than 12 points ahead of the opposing player or team, the opposing player or team must be allowed to take its turn. In the event of a tie, the game goes into "sudden death" mode and the first player or team to reach 3 points ahead of the opposing player or team, in the same round, wins the game. Rounds are only completed when all the Bean Bags have been tossed by both players or teams.

v. FAQ

Please Keep Your Instructions! Your Model number is necessary when you need to contact us. Please read through this instruction manual to familiarize yourself with all parts and assembly steps. Kindly refer to the parts list and be sure that all parts have been included.

If you are missing parts, or, if you have any questions, please contact our fast and friendly service center on: **1-877-472-4296**

vi. Other Useful Information

Please read the instructions carefully, and follow all assembly, operation or safety instructions properly in order to avoid damage or injury. For the assembly, at least one adult is required.

Some figures or drawings may not look exactly like your product. Please read and understand the text before beginning each assembly step.



vii. Warranty Card



All Weather Bean Bag Toss Warranty Card

Your details:

Name _____

Address _____

 _____ Email _____

Date of purchase* _____

* We recommend you keep the receipt with this warranty card



Location of purchase _____

Description of malfunction:

Return your completed warranty card to:

Medal Sports (B.V.I.) Ltd.
1300 Melissa Drive Suite 124,
Bentonville,
Arkansas 72712,
USA
E-mail: gsskatina@gmail.com

AFTER SALES SUPPORT

  1-877-472-4296  gsskatina@gmail.com

MODEL: 45144

2

YEARS
WARRANTY